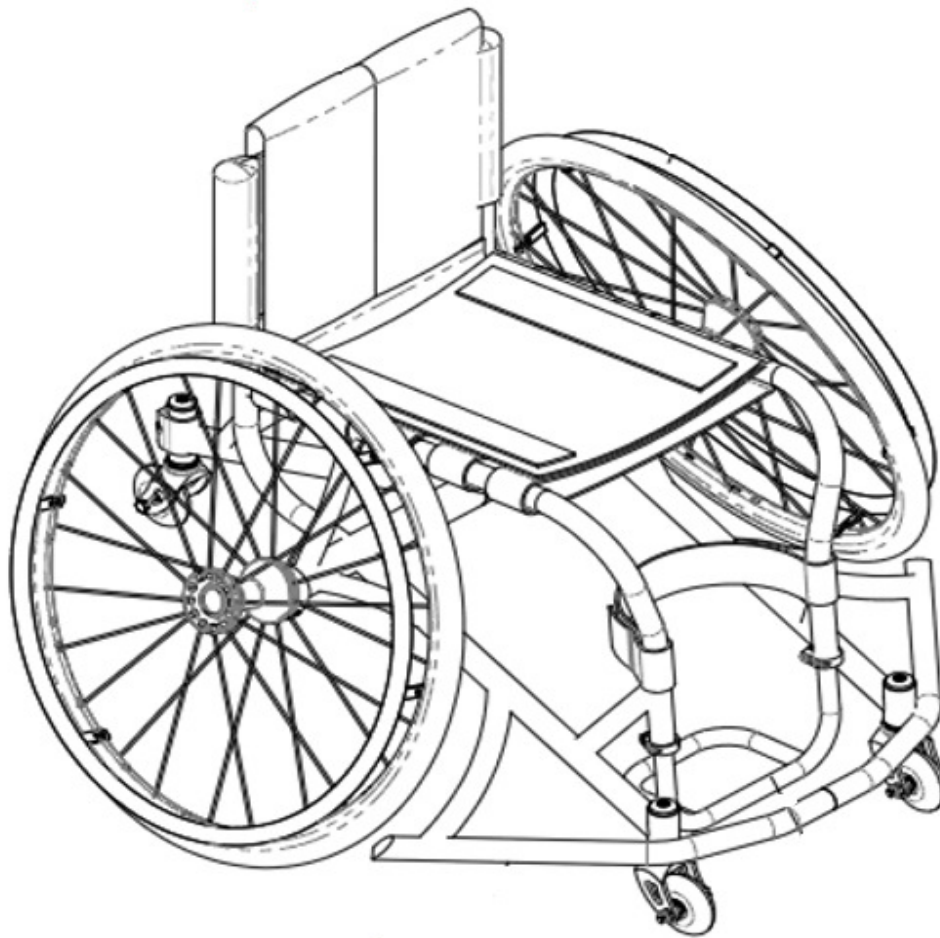




Sports and Recreation Products  
4501 63rd Circle North  
Pinellas Park, FL 33781  
(800) 532-8677 (727) 522-8677  
Fax: (727)522-1007

# Invacare Top End Parts Catalog

## Top End Schulte 7000 Series BB & T-5 Tennis

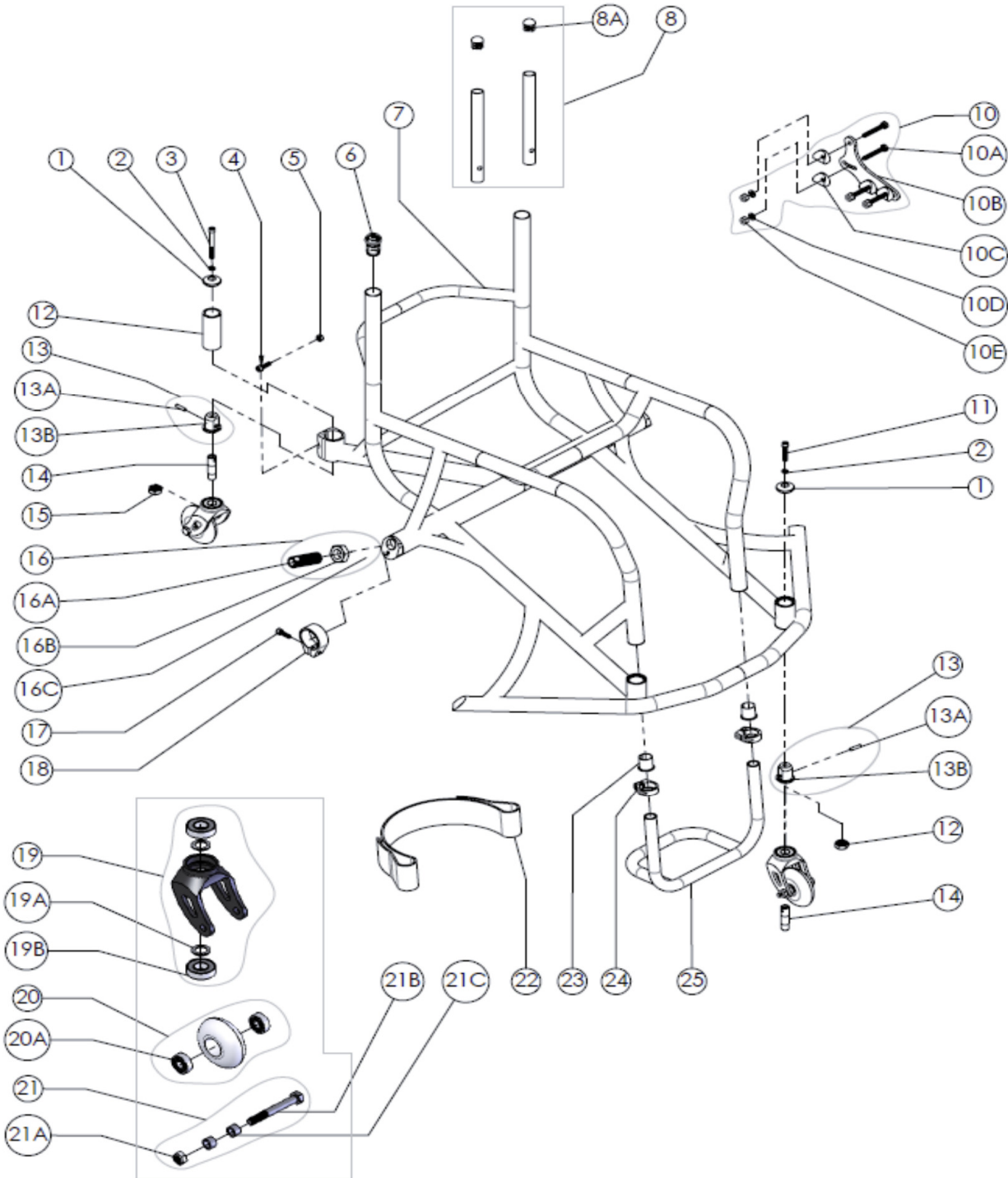




Sports and Recreation Products  
4501 63rd Circle North  
Pinellas Park, FL 33781  
(800) 532-8677 (727) 522-8677  
Fax: (727) 522-1007


# Invacare Top End Parts Catalog

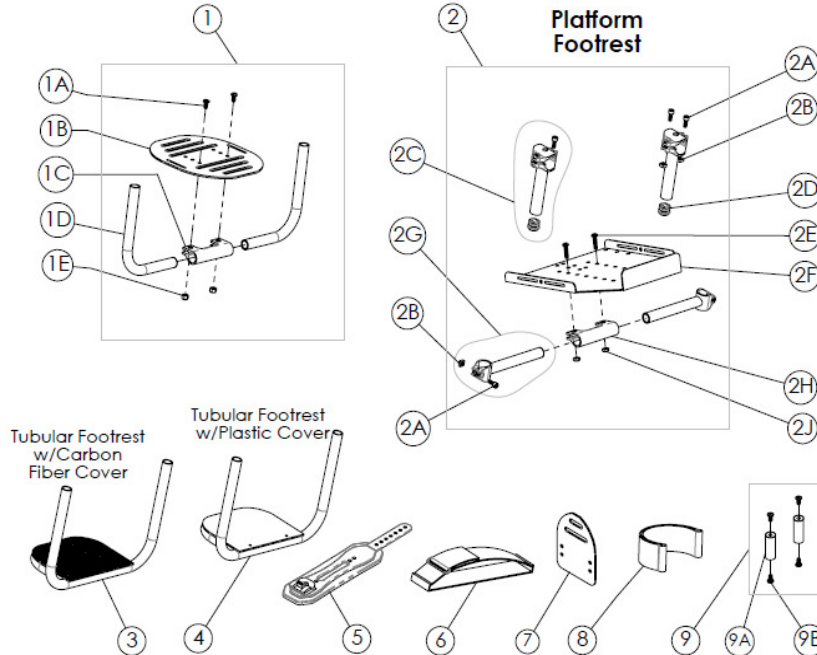
## Top End Schulte 7000 Series BB & T-5 Tennis



|  |   |           |   |  |
|--|---|-----------|---|--|
|  | Invacare Top End Sports and Recreation Products   |           | Parts Order Diagram:                      |  |
|  | (800) 532-8677 (727) 522-8677 fax: (727) 522-1007 |           | <b>7000 Series BB/T-5: Frame Assembly</b> |  |
| Date:  | PO#:  | SO#:      |   |  |
| Bill To:   |   | Ship To:  |   |  |
| Quote #:   | Phone:  | Serial #: |   |  |

| ITEM NO. | PART NUMBER | PER Chair | DESCRIPTION   | ORDER QTY                               |    |
|----------|-------------|-----------|---|---|----|
| 1        | 1166364     | 3         | Headtube Cap  |   | EA |
| 2        | 1180956     | 4         | Washer, M6 Split-Lock   |   | EA |
| 3        | 1166537     | 2         | Screw, 1/4-28 x 2-1/4 SHCS, Stainless Steel <b>Rear Caster</b>  |   | EA |
| 4        | 1060247     | 2         | Screw, M6 x 20mm SHCS   |   | EA |
| 5        | 1109805     | 2         | Nut, M6 Locknut   |   | EA |
| 6        | 1181567     | 2         | 1" Aluminum Domed Plug  |   | EA |
|          | 1139805     | 2         | 1" Plastic Domed Plug   |   | EA |
| 7        | 1166439     | 1         | Frame: 7005 BB Aluminum, Send new complete chair order form.  | Original Serial #: <input type="text"/> | EA |
|          | 1166440     | 1         | Frame: 7005 T-5 Tennis Aluminum, Send new complete chair order form.  | Original Serial #: <input type="text"/> | EA |
| 8        | 1026972     | 1         | Adj. Height Back Extentions (Pair) <input type="checkbox"/> Fixed Back <input type="checkbox"/> Adjustable Back                         |   | EA |
| 8A       | 1181568     | 2         | 3/4" Aluminum Domed Plug for Adjustable Back  |   | EA |
|          | 1139803     | 2         | 3/4" Plastic Domed Plug for Adjustable Back   |   | EA |
| 9        | 1153112     | 1         | Frame, Backrest - Seat Width: <input type="text"/> Back Height: <input type="text"/>  |   | EA |
| 10       | 1166452     | 2         | Backrest Bracket Asm (incl: (1) Bracket, (4) bolts, (4) coved washers, (4) nuts)  |   | EA |
| 10A      | 1001762     | 8         | Screw, 1/4-20 x 1-3/4", HHCS  |   | EA |
| 10B      | 1152962     | 2         | Backrest Bracket, Adjustable  |   | EA |
| 10C      | 1153153     | 8         | Washer, Coved Aluminum 1 in.  |   | EA |
| 10D      | 1026907     | 8         | Washer, 1/4" Flat Black   |   | EA |
| 10E      | 1025736     | 8         | Locknut, 1/4-20 Nylock Thick SS   |   | EA |
| 11       | 1156718     | 2         | Screw, 1/4-28 x 1-1/4 SHCS, SS (Front Caster)   |   | EA |
| 12       | 1166383     | 1         | Headtube, Anti-Tip  |   | EA |
| 13       | 1166541     | 3         | Headtube Bushing & Dowel Pin (3/16 x 3/4" LG) Assembly  |   | EA |
| 13A      | 1166437     | 4         | Dowel Pin, 3/16" X 3/4" Long  |   | EA |
| 13B      | 1166361     | 4         | Threaded-slip Bushing   |   | EA |
| 14       | 1181048     | 3         | Fork Stem   |   | EA |
| 15       | 1025737     | 3         | Nut, 1/2-20 Nylock (include washer)   |   | EA |
| 16       | 1166616     | 2         | Axle Receiver, Lock Washer, Washer, Nut Assembly (Sport)  |   | EA |
| 16A      | 1026178     | 2         | Threaded Receiver   |   | EA |
| 16B      | 1044945     | 2         | Jamnut, 3/4-16  |   | EA |
| 16C      | 1180948     | 2         | Serrated cone washer for axle receiver  |   | EA |
| 17       | 1061200     | 2         | Screw, SHCS M6 x 16mm   |   | EA |
| 18       | 1060882     | 2         | Camber Clamp Assembly   |   | EA |
| 19       | 1180978     | 3         | 3" Insert Fork Assembly (includes fork and two bearings)  |   | EA |
| 19A      | 1026174     | 6         | 1/2" Washer   |   | EA |
| 19B      | 1054030     | 6         | Bearing, (1/2" ID x 1-1/8" OD), Fork (2 per each) Note: Bearings pressed in at factory)   |   | EA |
|          | 1139783     | 1         | Court Caster, 72mm, Front (2 Bearings Included)   |   | EA |
| 20       | 1145939     | 1         | Court Caster, 59mm, Rear (2 Bearings Included)  |   | EA |
| 20A      | 40117x026   | 6         | Bearing, (5/16" ID x 7/8" OD), Caster (2 per each) (Note: Bearings pressed in at factory)   |   | EA |
| 21       | 1139775     | 3         | Caster Mounting Hardware Kit ( <b>Note: includes A, B, C</b> )  |   | EA |
| 21A      | 1026158     | 3         | Nut, 5/16-18 Nylock   |   | EA |
| 21B      | 1054005     | 3         | Bolt, 5/16-18 x 2-1/2" black HHCS   |   | EA |
| 21C      | 1142947     | 3         | Spacer, 5/16" ID x 5/16" Long   |   | EA |
| 22       | 1054268     | 1         | Leg / Calf Strap <input type="checkbox"/> 8-10" (36") <input type="checkbox"/> 10.5-13" (41")<br><input type="checkbox"/> 13.5" + (46") | Footrest Width: <input type="text"/>    | EA |
| 24       | 1139810     | 2         | Clamp, Footrest, 1" Dia.  |   | EA |
| 25       | 1143278     | 1         | Tubular Footrest, (1) Piece Aluminum  | Footrest Width: <input type="text"/>    | EA |
|          | 1127929     | 1         | Telescoping Removable anti-tip (Tennis chair)   |   | EA |
|          | TES1        |           |   |   | EA |

|   |   |   |
|---|---|---|
|  | Invacare Top End Sports and Recreation Products   | Parts Order Diagram:                      |
|   | (800) 532-8677 (727) 522-8677 fax: (727) 522-1007 | <b>7000 Series BB/T-5: Frame Assembly</b> |
| Date:   | PO#:  | SO#:                                      |
| Bill To:  | Ship To:  |   |
| Quote #:  | Phone:  | Serial #:                                 |



| ITEM NO. | PART NUMBER | PER Chair | DESCRIPTION  | ORDER QTY                            |    |
|----------|-------------|-----------|--|--------------------------------------|----|
| 1        | 1145905     | 1         | Adjustable Angle Footrest Assembly (Sport)   | Footrest Width: <input type="text"/> | EA |
| 1A       | 1006773     | 2         | Screw, 1/4-20 x 1/2 BHCS   |                                      | EA |
| 1B       | 1142938     | 1         | Oval Footplate only (7-1/2" wide)  |                                      | EA |
| 1C       | 1166173     | 1         | Clamp, Footrest  |                                      | EA |
| 1D       | NA          | 1         | Adjustable Footplate Tube  |                                      | EA |
| 1E       | 1025736     | 2         | Locknut, 1/4-20 Nylock Thick SS  |                                      | EA |
| 2        | 1156728     | 1         | Platform Footrest, Assy. (Note: includes items A through J)  |                                      | EA |
| 2A       | 1139755     | 6         | Screw, M6-1 x 16mm SHCS SS   |                                      | EA |
| 2B       | 1180957     | 6         | Square Nut, M6-1, Round Top  |                                      | EA |
| 2C       | 1195470     | 2         | Footrest Clamp Assembly, 4" Vertical Recessed  |                                      | EA |
|          | 1195471     | 2         | Footrest Clamp Assembly, 5" Vertical Recessed  |                                      | EA |
| 2D       | 1139804     | 2         | Plug, 7/8" Domed Black Plastic   |                                      | EA |
| 2E       | 1009837     | 2         | Screw, 1/4-20 x 1 in., BHCS  |                                      | EA |
| 2F       | 1153152     | 1         | Platform Footplate (10 1/2" x 10 1/2")   |                                      | EA |
|          | 1195472     | 2         | Footrest Clamp Assembly, 5.5" Horizontal Recessed  |                                      | EA |
| 2G       | 1195473     | 2         | Footrest Clamp Assembly, 6.5" Horizontal Recessed  |                                      | EA |
|          | 1195474     | 2         | Footrest Clamp Assembly, 7.5" Horizontal Recessed  |                                      | EA |
|          | 1195475     | 2         | Footrest Clamp Assembly, 8.5" Horizontal Recessed  |                                      | EA |
| 2H       | 1166173     | 1         | Clamp, Footrest  |                                      | EA |
| 2J       | 1025195     | 2         | Locknut, 1/4-20 Nylock Thin  |                                      | EA |
| 3        | 1145907     | 1         | Tubular Footrest, Alum w/ Carbon Fiber Cover   | Footrest Width: <input type="text"/> | EA |
| 4        | 1145906     | 1         | Tubular Footrest, Alum w/ Plastic Cover  | Footrest Width: <input type="text"/> | EA |
| 5        | 1181315     | 1         | Footrest, Click Strap assembly, Tubular  |                                      | EA |
|          | 1181314     | 1         | Footrest, Click Strap assembly, Platform   |                                      | EA |
| 6        | 1153249     | 1         | Strap, D-Ring Footrest (30")   |                                      | EA |
| 7        | 1181373     | 1         | Narrow 4" Footplate, Adjustable Angle (must be used with Clamp 1166173, Screw 1046421 & Nut 1065362) |                                      | EA |
|          | 1166173     | 1         | Clamp, Footrest (accommodates countersunk bolts)   |                                      | EA |
|          | 1046421     | 2         | Screw, 1/4-28 x 1.00" long Flat Head Cap Screw   |                                      | EA |
|          | 1065362     | 2         | Nut, 1/4-28  |                                      | EA |
| 8        | 1065301     | 1         | Heel Loop (includes (1) Loop, (2) spacers, (2) screws, (2) nuts)                                     |                                      | EA |
| 9        | 1116577     | 1         | Adaptive Footplate Spacer Kit (spacers & screws), Risers:  |                                      | EA |
| 9A       | 1145920     | 2         | Adaptive Footrest Spacer, 2 in.  |                                      | EA |
| 9B       | 1006773     | 4         | Screw, 1/4-20 x 1/2 BHCS   |                                      | EA |
|          | TES1        |           |  |                                      | EA |



Invacare Top End Sports and Recreation Products

Parts Order Diagram:

(800) 532-8677 (727) 522-8677 Fax: (727) 522-1007

7000 Series BB/PS7 T-5 Tennis: Wheel Assembly

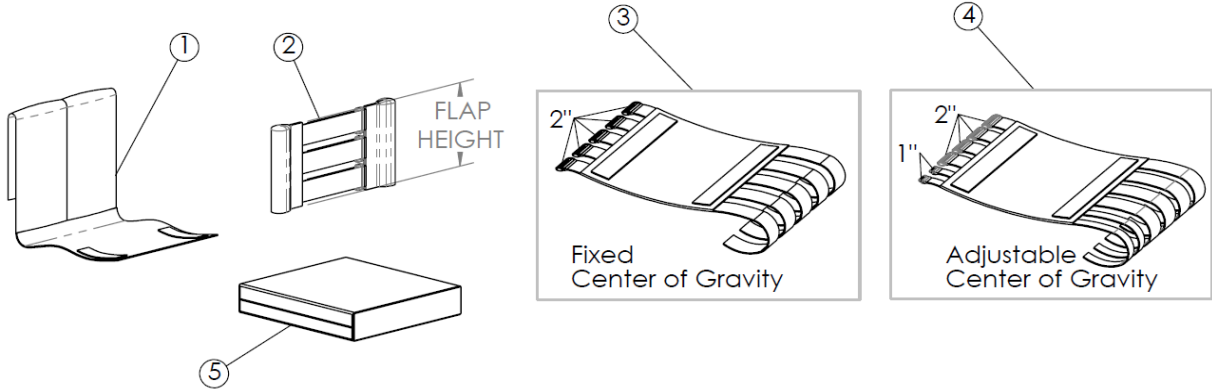
Date:  PO#:  SO#:

Bill To:  Ship To:

Quote #:  Phone:  Serial #:

|                 | ITEM NO. | PART NUMBER | PER CHAIR  | DESCRIPTION   | QTY                                    |                      |
|-----------------|----------|-------------|--|---|--|----------------------|
| WHEELS          |          | 1054054     | 2  | 24" (540) Sun Performance Rear Wheel: Radial  | <input type="text"/>                   | EA                   |
|                 |          | 1060202     | 2  | 24" (540) Spinergy SPOX Wide Hub <input type="checkbox"/> Yellow <input type="checkbox"/> White <input type="checkbox"/> Red <input type="checkbox"/> Blue                                  | <input type="text"/>                   | EA                   |
|                 |          | 1156703     | 2  | 24" (540) Spinergy SLX (4mm spoke) <input type="checkbox"/> Yellow <input type="checkbox"/> Black <input type="checkbox"/> White <input type="checkbox"/> Red <input type="checkbox"/> Blue | <input type="text"/>                   | EA                   |
|                 |          | 1166468     | 2  | 24" (540) Sun Equalizer Sport Wheel, (36 spoke, cross-laced, Includes 6 tabs HR)  | <input type="text"/>                   | EA                   |
|                 |          | 1054055     | 2  | 25" (559) Sun Performance Rear Wheel: Radial  | <input type="text"/>                   | EA                   |
|                 |          | 1060892     | 2  | 25" (559) Spinergy SPOX Wide Hub <input type="checkbox"/> Yellow <input type="checkbox"/> White <input type="checkbox"/> Red <input type="checkbox"/> Blue                                  | <input type="text"/>                   | EA                   |
|                 |          | 1156704     | 2  | 25" (559) Spinergy SLX (4mm spoke) <input type="checkbox"/> Yellow <input type="checkbox"/> Black <input type="checkbox"/> White <input type="checkbox"/> Red <input type="checkbox"/> Blue | <input type="text"/>                   | EA                   |
|                 |          | 1166465     | 2  | 25" (559) Sun Equalizer Wheel, (38 spoke, cross-laced, Includes 12 tabs HR)   | <input type="text"/>                   | EA                   |
|                 |          | 1054056     | 2  | 26" (590) Sun Performance Rear Wheel: Radial  | <input type="text"/>                   | EA                   |
|                 |          | 1059424     | 2  | 26" (590) Spinergy SPOX Wide Hub <input type="checkbox"/> Yellow <input type="checkbox"/> White <input type="checkbox"/> Red <input type="checkbox"/> Blue                                  | <input type="text"/>                   | EA                   |
|                 |          | 1156705     | 2  | 26" (590) Spinergy SLX (4mm spoke) <input type="checkbox"/> Yellow <input type="checkbox"/> Black <input type="checkbox"/> White <input type="checkbox"/> Red <input type="checkbox"/> Blue | <input type="text"/>                   | EA                   |
|                 |          | 1166466     | 2  | 26" (590) Sun Equalizer Wheel, (48 spoke, cross-laced, Includes 12 tabs HR)   | <input type="text"/>                   | EA                   |
|                 |          | 1139780     | 2  | 27" (700c) Sun Performance Rear Wheel: Radial   | <input type="text"/>                   | EA                   |
|                 |          | 1116517     | 2  | 27" (700c) Spinergy SPOX Wide Hub <input type="checkbox"/> Yellow <input type="checkbox"/> White <input type="checkbox"/> Red <input type="checkbox"/> Blue                                 | <input type="text"/>                   | EA                   |
|                 | 1166467  | 2           | 27" (700c) Sun Equalizer Wheel, (48 spoke, cross-laced, Includes 12 tabs HR)   | <input type="text"/>  | EA                                     |                      |
|                 | 1156716  | 2           | 27" (700c) Spinergy SLX (4mm spoke) <input type="checkbox"/> Yellow <input type="checkbox"/> Black <input type="checkbox"/> White <input type="checkbox"/> Red <input type="checkbox"/> Blue | <input type="text"/>  | EA                                     |                      |
| HANDRIMS        |          | 1054083     | 2  | 24" Anodized Handrim 6-Tab  | <input type="text"/>                   | EA                   |
|                 |          | 1054085     | 2  | 25" Anodized Handrim 6-Tab  | <input type="text"/>                   | EA                   |
|                 |          | 1054087     | 2  | 26" Anodized Handrim 6-Tab  | <input type="text"/>                   | EA                   |
|                 |          | 1054089     | 2  | 700 Anodized Handrim 6-Tab  | <input type="text"/>                   | EA                   |
|                 |          | 1152955     | 2  | 25" Anodized Handrim 12-tab (for use on Spinergy wheels only)   | <input type="text"/>                   | EA                   |
|                 |          | 1152956     | 2  | 26" Anodized Handrim 12-tab (for use on Spinergy wheels only)   | <input type="text"/>                   | EA                   |
|                 |          | 1152957     | 2  | 27" (700c) Anodized Handrim 12-Tab (for use on Spinergy wheels only)  | <input type="text"/>                   | EA                   |
|                 |          | 1145898     | 2  | Handrim Hardware Kit (6) 10-32 x 1/2" Screws, (6) 10-32 Locknuts  | <input type="text"/>                   | EA                   |
| TIRES AND TUBES |          | 1054064     | 2  | 24" (540) Primo V Track High Pressure Clincher Tire   | <input type="text"/>                   | EA                   |
|                 |          | 1195207     | 2  | 24" (540) Primo Tire, Clincher, Red (recommended to purchase in pairs to ensure matching tires)   | <input type="text"/>                   | EA                   |
|                 |          | 1127918     | 2  | 24" (540) Kenda Sport Tire, Clincher, Yellow  | <input type="text"/>                   | EA                   |
|                 |          | 1105941     | 2  | 24" (540) Tube (Presta Valve)   | <input type="text"/>                   | EA                   |
|                 |          | 1032240     | 2  | 24" (540) Tube (Schrader Valve)   | <input type="text"/>                   | EA                   |
|                 |          | 1054067     | 2  | 25" (559) Primo V Track High Pressure Clincher Tire   | <input type="text"/>                   | EA                   |
|                 |          | 1195208     | 2  | 25" (559) Primo Tire, Clincher, Red (recommended to purchase in pairs to ensure matching tires)   | <input type="text"/>                   | EA                   |
|                 |          | 1127919     | 2  | 25" (559) Kenda Sport Tire, Clincher, Yellow  | <input type="text"/>                   | EA                   |
|                 |          | 1104326     | 2  | 25" (559) Tube (Presta Valve)   | <input type="text"/>                   | EA                   |
|                 |          | 1181703     | 2  | 25" (559) Tube (Schrader Valve)   | <input type="text"/>                   | EA                   |
|                 |          | 1054066     | 2  | 26" (590) Primo V Track High Pressure Clincher Tire   | <input type="text"/>                   | EA                   |
|                 |          | 1195209     | 2  | 26" (590) Primo Tire, Clincher, Red (recommended to purchase in pairs to ensure matching tires)   | <input type="text"/>                   | EA                   |
|                 |          | 1127920     | 2  | 26" (590) Kenda Sport Tire, Clincher, Yellow  | <input type="text"/>                   | EA                   |
|                 |          | 1054074     | 2  | 26" (590) Tube (Presta Valve)   | <input type="text"/>                   | EA                   |
|                 |          | 1029471     | 2  | 26" (590) Tube (Schrader Valve)   | <input type="text"/>                   | EA                   |
|                 |          | 1060115     | 2  | 27" (700c) Primo High Pressure Clincher Tire  | <input type="text"/>                   | EA                   |
|                 |          | 1181316     | 2  | Tire, IRC 700c Red  | <input type="text"/>                   | EA                   |
|                 |          | 1156708     | 2  | 27" (700c) Kenda Sport Tire, Clincher, Yellow   | <input type="text"/>                   | EA                   |
|                 |          | 1054075     | 2  | 27" (700c) Tube (Presta Valve)  | <input type="text"/>                   | EA                   |
|                 | OTHER    |             | 1185080  | 2   | Rim Strip, Nylon 24" (540) x 16mm Wide | <input type="text"/> |
|                 |          | 1185081     | 2  | Rim Strip, Nylon 25" (559) x 16mm Wide  | <input type="text"/>                   | EA                   |
|                 |          | 1185082     | 2  | Rim Strip, Nylon 26" (590) x 16mm Wide  | <input type="text"/>                   | EA                   |
|                 |          | 1139811     | 2  | Rim Strip, Nylon 700C x 16mm Wide   | <input type="text"/>                   | EA                   |
|                 |          | TER40       | 2  | Cut Tabs Aluminum pushrim   | <input type="text"/>                   | EA                   |
|                 |          | TERTi40     | 2  | Cut Tabs Titanium pushrim   | <input type="text"/>                   | EA                   |
|                 |          | NA          | 1  | Assemble Wheel? <input type="checkbox"/> Yes <input type="checkbox"/> No  | <input type="text"/>                   | EA                   |
|                 | NA       | 1           | Handrim Assembly: <input type="checkbox"/> STD Mount <input type="checkbox"/> Close Mount  | <input type="text"/>  | EA                                     |                      |
|                 | TES1     |             |  | <input type="text"/>  | EA                                     |                      |

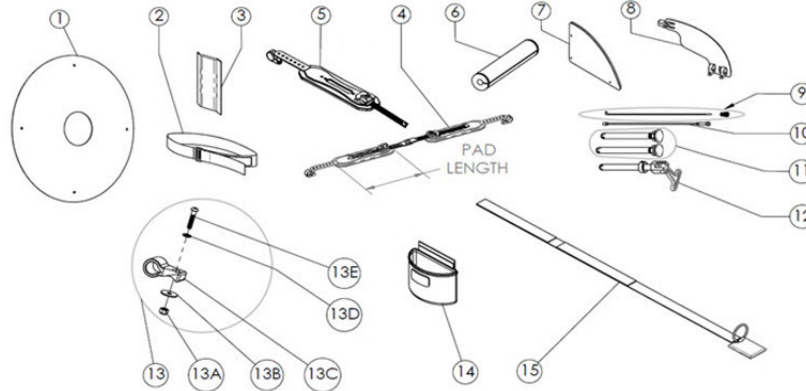
|  |   |                                       |  |
|--|---|---------------------------------------|--|
|  | Invacare Top End Sports and Recreation Products   | Parts Order Diagram:                  |  |
|  | (800) 532-8677 (727) 522-8677 fax: (727) 522-1007 | <b>7000 Series BB/T-5: Upholstery</b> |  |
| Date: <input type="text"/>   | PO#: <input type="text"/>                         | SO#: <input type="text"/>             |  |
| Bill To: <input type="text"/>  |   | Ship To: <input type="text"/>         |  |
| Quote #: <input type="text"/>  | Phone: <input type="text"/>                       | Serial #: <input type="text"/>        |  |



| ITEM NO.                       | PART NUMBER | PER Chair  | DESCRIPTION   |  | ORDER QTY                        |                      |    |
|--------------------------------|-------------|--|---|--|----------------------------------|----------------------|----|
| 1                              | 1127960     | 1  | Back Center   | Back Height: <input type="text"/>                    | <input type="text"/>             | EA                   |    |
| 2                              | 1181597     | 1  | Adj. Tension Back Anc & Adj 3.0" Flap   | Typically used for low back heights with side guards | Seat Width: <input type="text"/> | EA                   |    |
|                                | 1181598     | 1  | Adj. Tension Back Anc & Adj 4.0" Flap   | Typically used for low back heights with side guards | Seat Width: <input type="text"/> | EA                   |    |
|                                | 1181599     | 1  | Adj. Tension Back Anc & Adj 5.0" Flap   | (BH: 8" Fixed & 9-11" Adj)                           | Seat Width: <input type="text"/> | <input type="text"/> | EA |
|                                |             |  |   | (BH: 8.5" Fixed & 9-11" Adj)                         |                                  |                      |    |
|                                |             |  |   | (BH: 9" Fixed & 9-11" Adj)                           |                                  |                      |    |
|                                |             |  |   | (BH: 9.5" Fixed & 9-11" Adj)                         |                                  |                      |    |
|                                | 1181600     | 1  | Adj. Tension Back Anc & Adj 6.0" Flap   | Typically used for low back heights with side guards | Seat Width: <input type="text"/> | EA                   |    |
|                                | 1181807     | 1  | Adj. Tension Back Anc & Adj 7.0" Flap   | (BH: 10" Fixed & 10-14" Adj)                         | Seat Width: <input type="text"/> | <input type="text"/> | EA |
|                                |             |  |   | (BH: 10.5" Fixed & 10-14" Adj)                       |                                  |                      |    |
|                                |             |  |   | (BH: 11" Fixed & 10-14" Adj)                         |                                  |                      |    |
| (BH: 11.5" Fixed & 10-14" Adj) |             |  |   |  |                                  |                      |    |
| 1181601                        | 1           | Adj. Tension Back Anc & Adj 8.0" Flap  | (BH: 12" Fixed & 12-16" Adj)  | Seat Width: <input type="text"/>                     | <input type="text"/>             | EA                   |    |
|                                |             |  | (BH: 12.5" Fixed & 12-16" Adj)  |  |                                  |                      |    |
|                                |             |  | (BH: 13" Fixed & 12-16" Adj)  |  |                                  |                      |    |
|                                |             |  | (BH: 13.5" Fixed & 12-16" Adj)  |  |                                  |                      |    |
| 1181603                        | 1           | Adj. Tension Back Anc & Adj 10.0" Flap   | (BH: 14" Fixed & 14-18" Adj)  | Seat Width: <input type="text"/>                     | <input type="text"/>             | EA                   |    |
|                                |             |  | (BH: 14.5" Fixed & 14-18" Adj)  |  |                                  |                      |    |
|                                |             |  | (BH: 15" Fixed & 14-18" Adj)  |  |                                  |                      |    |
|                                |             |  | (BH: 15.5" Fixed & 14-18" Adj)  |  |                                  |                      |    |
| 1181605                        | 1           | Adj. Tension Back Anc & Adj 12.0" Flap   | (BH: 16" Fixed & 16-20" Adj)<br>(BH: Larger Than 16" Fixed & 16-20" Adj)                                  | Seat Width: <input type="text"/>                     | <input type="text"/>             | EA                   |    |
| 1181185                        | 1           | Leather Upgrade, w/Alum Dome Plug Back Style: <input type="checkbox"/> Fixed <input type="checkbox"/> Adjustable | Back Height: <input type="text"/>   | Seat Width: <input type="text"/>                     | <input type="text"/>             | EA                   |    |
| 3                              | 1127963     | 1  | Seat Uph. Fixed Center of Gravity   | Seat Width: <input type="text"/>                     | Seat Depth: <input type="text"/> | EA                   |    |
| 4                              | 1153134     | 1  | Seat Uph. Adj. Center of Gravity  | Seat Width: <input type="text"/>                     | Seat Depth: <input type="text"/> | EA                   |    |
| 5                              | 1195327     | 1  | Soft Seat Cushion, 2" Thick   | Seat Width: <input type="text"/>                     | Seat Depth: <input type="text"/> | EA                   |    |
|                                | 1195328     | 1  | Soft Seat Cushion, 3" Thick   | Seat Width: <input type="text"/>                     | Seat Depth: <input type="text"/> | EA                   |    |
|                                | 1195329     | 1  | Soft Seat Cushion, 4" Thick   | Seat Width: <input type="text"/>                     | Seat Depth: <input type="text"/> | EA                   |    |
|                                | 1060130     | 1  | Hard Cushion <input type="checkbox"/> 2 in. <input type="checkbox"/> 3 in. <input type="checkbox"/> 4 in. | Seat Width: <input type="text"/>                     | Seat Depth: <input type="text"/> | EA                   |    |



|   |   |                                       |
|---|---|---------------------------------------|
|  | Invacare Top End Sports and Recreation Products   | Parts Order Diagram:                  |
|   | (800) 532-8677 (727) 522-8677 fax: (727) 522-1007 | <b>7000 Series BB/T5: Accessories</b> |
| Date: _____   | PO#: _____  | SO#: _____                            |
| Bill To: _____  | Ship To: _____                                    |                                       |
| Quote #: _____  | Phone: _____                                      | Serial #: _____                       |



| ITEM NO. | PART NUMBE | PER CHAIR | DESCRIPTION  | ORDER QTY.   |    |
|----------|------------|-----------|--|--|----|
| 1        | 1059416    | 2         | 24" Spoke Guard Assembly, Black  |  | EA |
|          | 1195304    |           | 24" Spoke Guard Assembly, Clear  |  | EA |
|          | 1195306    |           | 25" Spoke Guard Assembly, Black  |  | EA |
|          | 1195305    |           | 25" Spoke Guard Assembly, Clear  |  | EA |
|          | 1059417    |           | 26" Spoke Guard Assembly, Black  |  | EA |
|          | 1195307    |           | 26" Spoke Guard Assembly, Clear  |  | EA |
| 2        | 1195217    | 1         | 10" Seat Positioning Strap, Hook & Loop Style                                    |  | EA |
|          | 1195218    |           | 12" Seat Positioning Strap, Hook & Loop Style                                    |  | EA |
|          | 1195219    |           | 14" Seat Positioning Strap, Hook & Loop Style                                    |  | EA |
|          | 1195220    |           | 16" Seat Positioning Strap, Hook & Loop Style                                    |  | EA |
|          | 1195221    |           | 18" Seat Positioning Strap, Hook & Loop Style                                    |  | EA |
| 3        | 1145900    | 1         | Front Frame Vertical Protectors (pair)   |  | PR |
| 4        | 1152963    | 1         | Click Strap Set, 8" Pad Length (Small) (includes 4 heavy duty zip-ties)          |  | EA |
|          | 1152964    |           | Click Strap Set, 10" Pad Length (Medium) (includes 4 heavy duty zip-ties)        |  | EA |
|          | 1152965    |           | Click Strap Set, 12" Pad Length (Large) (includes 4 heavy duty zip-ties)         |  | EA |
| 5        | 1181539    | 2         | Replacement 8" Single Pad, Small (includes 2 heavy duty zip-ties)                |  | EA |
|          | 1181565    |           | Replacement 10" Single Pad, Medium (includes 2 heavy duty zip-ties)              |  | EA |
|          | 1181566    |           | Replacement 12" Single Pad, Large (includes 2 heavy duty zip-ties)               |  | EA |
|          | 1152983    | na        | Zip-tie, Heavy Duty, 8"x5/16" 120lbs (black)                                     |  | EA |
| 6        | 1146046    | 1         | Sport Rear Frame Protector   |  | EA |
| 7        | 1059414    | 1         | Fixed Aluminum Side Guard (RH & LH, Outline Required)                            |  | PR |
| 8        | 1181811    | 2         | Clamp-On Fixed Side Guard Assembly, 1" Clamp Large (9" x 14")                    |  | EA |
|          | 1181796    |           | Clamp-On Fixed Side Guard Assembly, 1-1/8" Clamp Large (9" x 14") (HD Frame)     |  | EA |
|          | 1181804    |           | Clamp-On Fixed Side Guard Assembly, 1" Clamp Small (7" x 11")                    |  | EA |
|          | 1181805    |           | Clamp-On Fixed Side Guard Assembly, 1-1/8" Clamp Small (7" x 11") (HD Frame)     |  | EA |
| 9        | 1059514    | na        | Metal Spoke w/Nipple   | Wheel Size: <input type="checkbox"/> 24" <input type="checkbox"/> 25" <input type="checkbox"/> 26" <input type="checkbox"/> 700C<br><input type="checkbox"/> Radial<br><input type="checkbox"/> Crossed  | EA |
| 10       | 1156712    | na        | Spinergy LX/SLX Spoke (4mm)  | Wheel Size: <input type="checkbox"/> 24" <input type="checkbox"/> 25" <input type="checkbox"/> 26" <input type="checkbox"/> 700C<br>Wheel Color: <input type="checkbox"/> Yellow <input type="checkbox"/> Black <input type="checkbox"/> White <input type="checkbox"/> Red <input type="checkbox"/> Blue<br>Hub Size: <input type="checkbox"/> Wide <input type="checkbox"/> Narrow | EA |
| 11       | 1065303    | 2         | Axle, Quick Release, Standard Length   |  | EA |
|          | 1060140    | 2         | Axle, Quick Release, Sport Length  |  | EA |
|          | 1060842    | 2         | Axle, Quick Release, Titanium for Standard Length                                |  | EA |
|          | 1060843    | 2         | Axle, Quick Release, Titanium Sport Length                                       |  | EA |
| 12       | 1043487    | 2         | Axle, Quad Release, Standard Length  |  | EA |
| 13       | 1181517    | 2         | Webbing mount (Nylon) for Click Strap [with Hardware: 1 screw, 2 washers, 1 nut] |  | EA |
| 13A      | 1025195    | 2         | Locknut, 1/4-20 Thin   |  | EA |
| 13B      | 1166464    | 2         | Washer, 0.281 x 1 x 0.063  |  | EA |
| 13C      | 1166622    | 2         | Webbing mount for Click Strap  |  | EA |
| 13D      | 1026907    | 2         | Washer, 0.257 x 0.5 x 0.055  |  | EA |
| 13E      | 1008432    | 2         | Screw, 1/4"-20 x 1-1/4" in. Black  |  | EA |
| 14       | 1181578    | NA        | Tennis Ball Carry Bag  |  | EA |
| 15       | 1166701    | 1         | Metal O-Ring Belt - <b>Specify Seat Width:</b>                                   |  | EA |
|          | 1166554    | NA        | Basketball Carrying Bag  |  | PR |
|          | RACE4      | NA        | Top End Wheel Bag  |  | PR |
|          | TES1       |           |  |  | EA |

