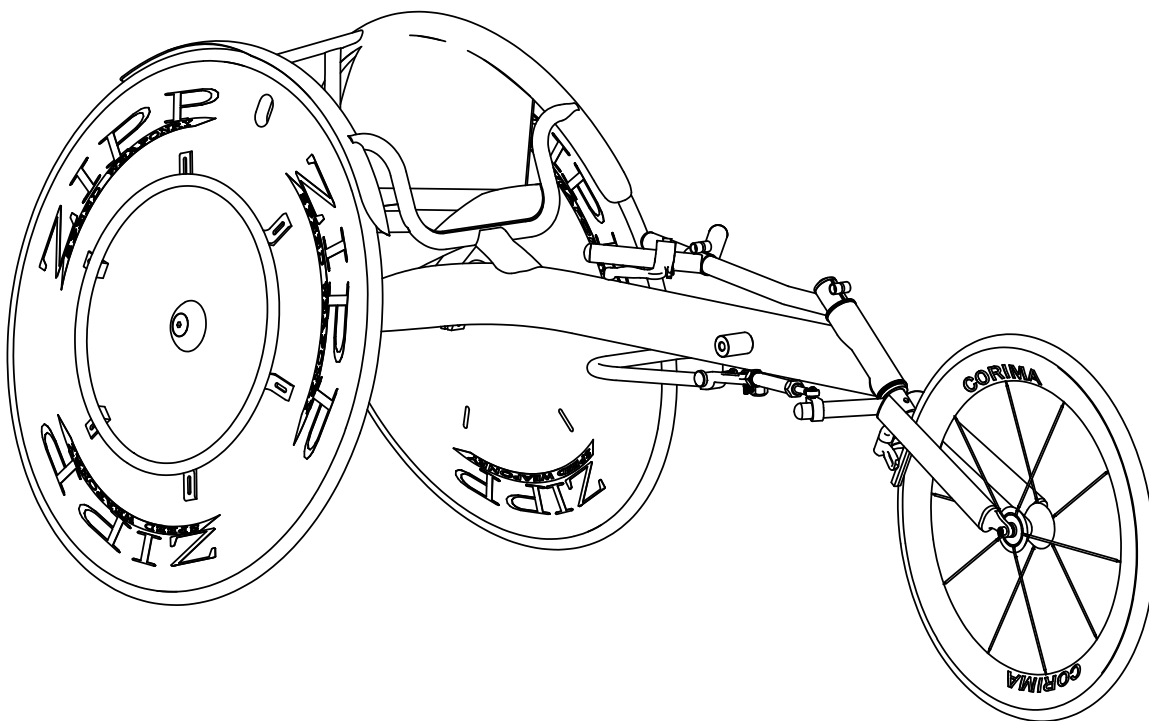
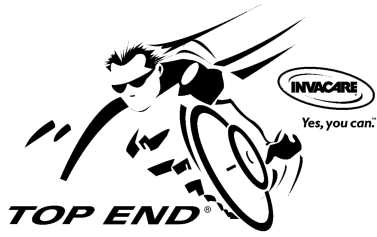


Sports and Recreation Products
4501 63rd Circle North
Pinellas Park, FL 33781
(800) 532-8677 (727) 522-8677
Fax: (727)522-1007

Invacare Top End Parts Catalog Eliminator Eliminator OSR



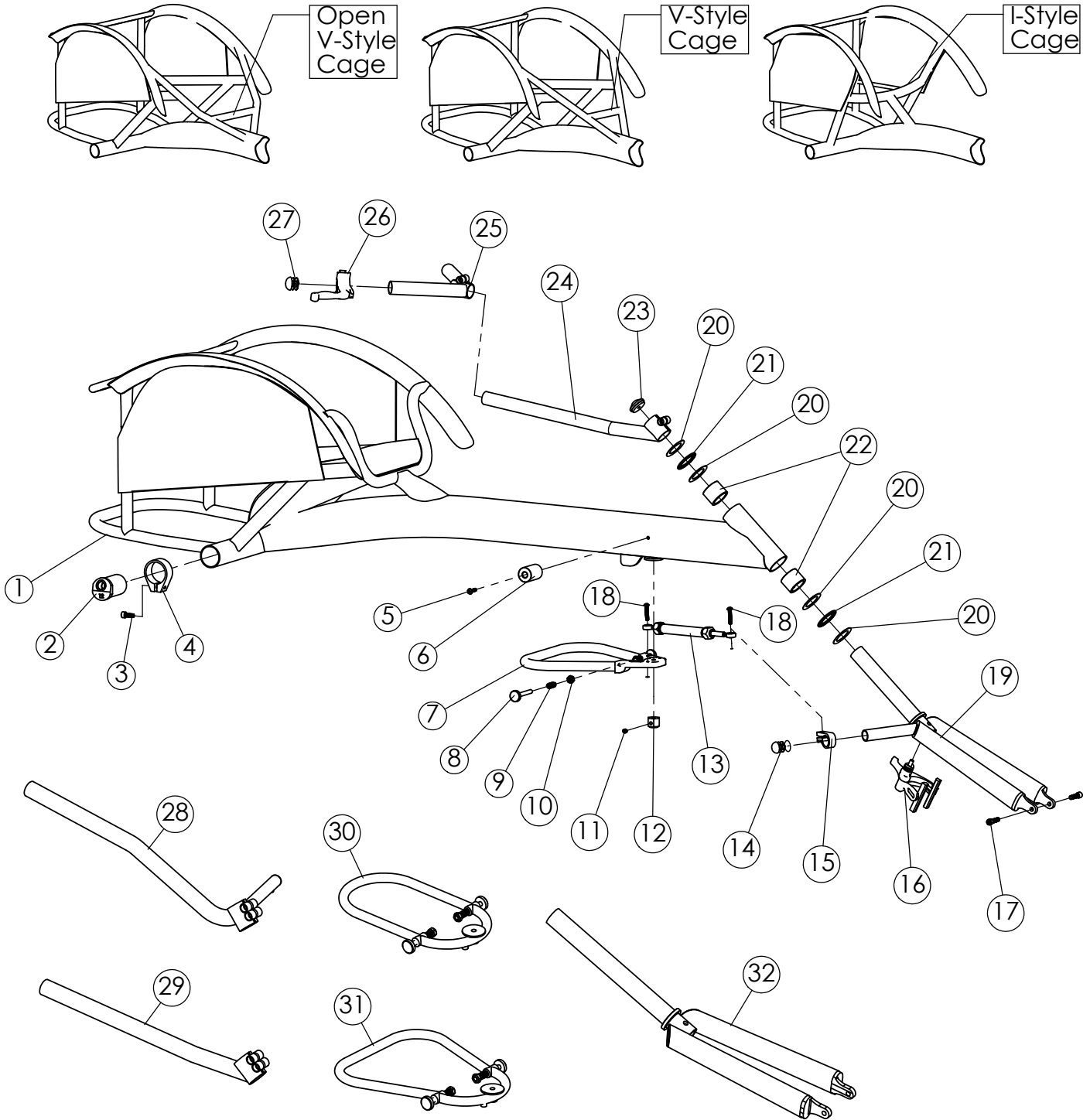


Sports and Recreation Products
4501 63rd Circle North
Pinellas Park, FL 33781
(800) 532-8677 (727) 522-8677
Fax: (727) 522-1007

Parts Order Diagram

Eliminator

Frame / Parts





Sports and Recreation Products
 4501 63rd Circle North
 Pinellas Park, FL 33781
 (800) 532-8677 (727) 522-8677
 Fax: (727) 522-1007

Parts Order Diagram

Eliminator

Frame / Parts

Date: _____ P.O./Customer#: _____ Ship to Customer Provider Part Tracking#: _____
(TOP END Use Only)

Provider _____	Acct# _____
Address _____	Suite _____
City _____	State _____ Zip _____
Work Phone (_____) _____	Fax _____
Cell Phone (_____) _____	
E-mail _____	

Customer _____
Address _____ Apt. _____
City _____ State _____ Zip _____
Home Phone (_____) _____
Cell Phone (_____) _____
E-mail _____

Item No	Part No	Description	Quantity
1	1146065	Top End Eliminator OSR Racing Frame Only: Send new complete chair order form	
2	1068760	Bushing, 12 Degrees Camber	
3	1061200	Screw M6 x 16mm Long Socket Head Cap Screw	
4	1116530	Camber Clamp	
5	1139749	Screw 10-32 x 3/4" Long, Button Head Cap Screw	
6	1060689	Computer Mount	
7	1146066	Aluminum Track Control Steering Mechanism	
8	1060971	Thumb Screw	
9	1139764	1" Spring Track Steering Mechanism	
10	1025736	Locknut (thin) 1/4-20	
11	1054011	Set Screw , 1/4-20 x 1/4" Long	
12	1068789	Track Compensator Nut	
13	1059441	Compensator Cylinder	
14	1139803	3/4" ball head plastic plug, black	
15	1142840	Clamp	
16	1060208	Caliper Brake	
17	1027268	Screw , 1/4-20 x 1" Long Socket Head Cap Screw	
18	1056767	Screw , 10-32 x 1" Long Button Head Cap Screw	
19	1060915	Fork, Bottom Steering	
20	1060268	Bearing Washer	
21	1060267	Thrust Bearing	
22	1060269	Bushing, Headtube	
23	1061224	Fork Cap, Small	
24	1146067	Steering Handle	
25	1146068	Steering V	
26	1060209	Brake Handle	
27	1139804	7/8" ball head plastic plug, black	
28	1146069	Steering Handle, Titanium (Top Steer)	
29	1146070	Steering Handle, Titanium (Bottom Steer)	
30	1146071	Titanium Oval Track Control Steering Mechanism	
31	1146072	Titanium Triangle Track Control Steering Mechanism	
32	1146073	Fork, Top Steering	
	1063587	Brake Kit Complete	
	1058197	Brake Cable	
	1058198	Brake Cable Housing	
	1152977	Steering V, Titanium	



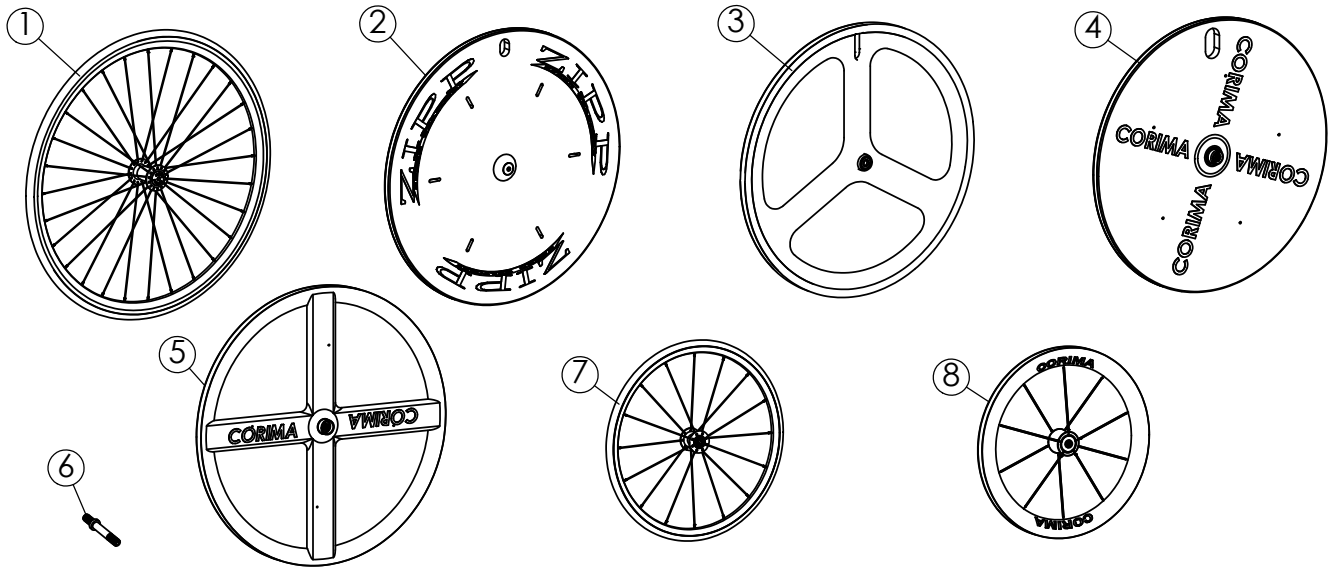
Sports and Recreation Products
 4501 63rd Circle North
 Pinellas Park, FL 33781
 (800) 532-8677 (727) 522-8677
 Fax: (727)522-1007

Parts Order Diagram Eliminator Wheels / Tires

Date: _____ P.O./Customer#: _____ Ship to Customer Provider Part Tracking#: _____
(TOP END Use Only)

Provider _____	Acct# _____
Address _____	Suite _____
City _____	State _____ Zip _____
Work Phone (_____) _____	Fax _____
Cell Phone (_____) _____	
E-mail _____	

Customer _____
Address _____ Apt. _____
City _____ State _____ Zip _____
Home Phone (_____) _____
Cell Phone (_____) _____
E-mail _____



Item No	Part No	Description	Other	Quantity
1	1061162	27 In. (700c) 28 Spoke Wheel	Clincher	
	1060926	27 In. (700c) 28 Spoke Wheel	Tubular	
2	1127897	27 In. (700c) Zipp Carbon Fiber Disc	Tubular	
3	Race67	27 In. (700c) Tri-Spoke Carbon Fiber	Clincher	
	Race68	27 In. (700c) Tri-Spoke Carbon Fiber	Tubular	
4	Race63	27 In. (700c) Corima Carbon Fiber Disc	Clincher	<input type="checkbox"/> Right <input type="checkbox"/> Left
	Race64	27 In. (700c) Corima Carbon Fiber Disc	Tubular	<input type="checkbox"/> Right <input type="checkbox"/> Left
5	Race61	27 In. (700c) Corima Carbon Fiber 4 Spoke	Clincher	<input type="checkbox"/> Right <input type="checkbox"/> Left
	Race62	27 In. (700c) Corima Carbon Fiber 4 Spoke	Tubular	<input type="checkbox"/> Right <input type="checkbox"/> Left
6	1060811	1/2" Threaded Axle, for Corima Wheels	XXXXX	
	1059400	700c Clincher Tire	XXXXX	
	1060161	700c Clincher Tube	XXXXX	
	Race9	700c Tubular Tire Panaracer Rapide	XXXXX	
	Race32	700c Tufo Jet Special Tubular Tire (230g)	XXXXX	
	Race33	700c Tufo S3 Lite Tubular Tire (145g)	XXXXX	
	Race34	700c Tufo S3 Lite Tubular Tire (165g)	XXXXX	
7	1060925	20 In. Front Wheel	XXXXX	
8	Race60	20 In. Corima Carbon Fiber Front Wheel	XXXXX	
	Race7	Tire, 20 In. Front Tubular Panaracer Rapide	XXXXX	
	Race30	Tire, 20 In. Front Tubular Tufo S3 Lite (100g)	XXXXX	



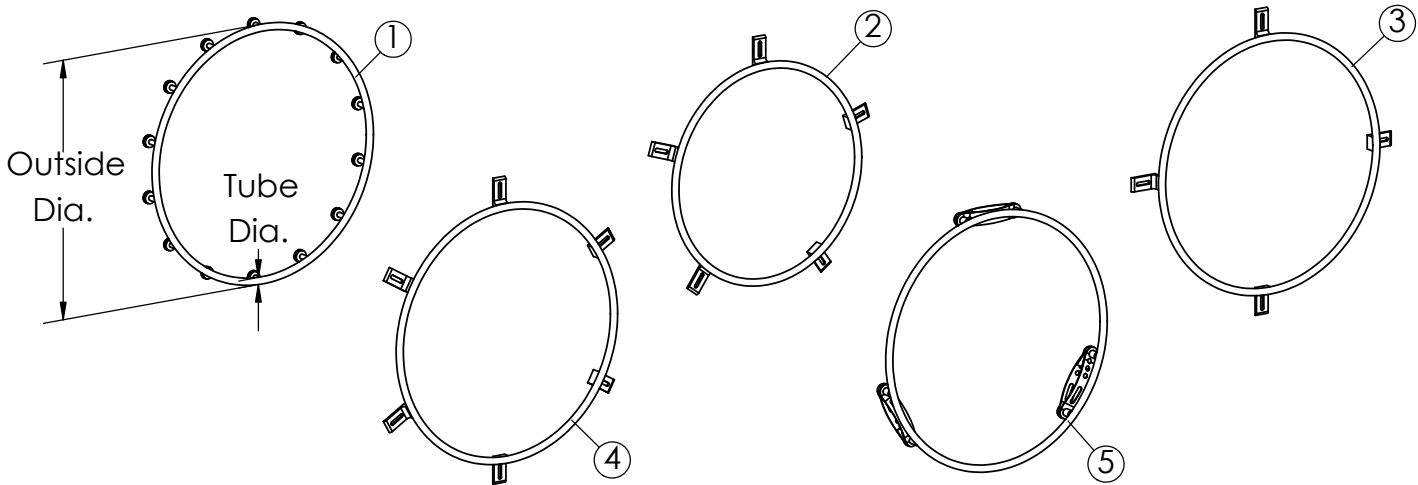
Sports and Recreation Products
 4501 63rd Circle North
 Pinellas Park, FL 33781
 (800) 532-8677 (727) 522-8677
 Fax: (727) 522-1007

Parts Order Diagram Eliminator Handrims

Date: _____ P.O./Customer#: _____ Ship to Customer Provider Part Tracking#: _____
(TOP END Use Only)

Provider _____	Acct# _____
Address _____	Suite _____
City _____	State _____ Zip _____
Work Phone (_____) _____	Fax _____
Cell Phone (_____) _____	
E-mail _____	

Customer _____
Address _____ Apt. _____
City _____ State _____ Zip _____
Home Phone (_____) _____
Cell Phone (_____) _____
E-mail _____



1152975	<input type="checkbox"/> Non-Standard Peg Length (1/2" Standard)	<input type="checkbox"/> 1/4" <input type="checkbox"/> 3/4"	add \$50.00 per handrim
1152976	<input type="checkbox"/> Non-Standard Tube Diameter (3/8" Standard)	<input type="checkbox"/> 1/2"	add \$50.00 per handrim

Item No	Part No	Description	Other	Quantity
	1152937	<input type="checkbox"/> Coated Handrim, 28 Spoke Wheel	Outside Dia.	
1	1152936	<input type="checkbox"/> Taped Handrim, 28 Spoke Wheel	<input type="checkbox"/> 13" <input type="checkbox"/> 13-1/2" <input type="checkbox"/> 14" <input type="checkbox"/> 14-1/2"	
	1152935	<input type="checkbox"/> Bare Handrim, 28 Spoke Wheel	<input type="checkbox"/> 15" <input type="checkbox"/> 15-1/2" <input type="checkbox"/> 16"	
	1152940	<input type="checkbox"/> Coated Handrim, Corima Disc	¹ Outside Dia.	
2	1152939	<input type="checkbox"/> Taped Handrim, Corima Disc	<input type="checkbox"/> 13" <input type="checkbox"/> 13-1/2" <input type="checkbox"/> 14" <input type="checkbox"/> 14-1/2"	
	1152938	<input type="checkbox"/> Bare Handrim, Corima Disc	<input type="checkbox"/> 15" <input type="checkbox"/> 15-1/2" <input type="checkbox"/> 16"	
	1152966	<input type="checkbox"/> Coated Handrim, Corima 4 Spoke	¹ Outside Dia.	
3	1152967	<input type="checkbox"/> Taped Handrim, Corima 4 Spoke	<input type="checkbox"/> 13" <input type="checkbox"/> 13-1/2" <input type="checkbox"/> 14" <input type="checkbox"/> 14-1/2"	
	1152968	<input type="checkbox"/> Bare Handrim, Corima 4 Spoke	<input type="checkbox"/> 15" <input type="checkbox"/> 15-1/2" <input type="checkbox"/> 16"	
	1152969	<input type="checkbox"/> Coated Handrim, for Zipp Disc	Outside Dia.	
4	1152970	<input type="checkbox"/> Taped Handrim, for Zipp Disc	<input type="checkbox"/> 13" <input type="checkbox"/> 13-1/2" <input type="checkbox"/> 14" <input type="checkbox"/> 14-1/2"	
	1152971	<input type="checkbox"/> Bare Handrim, for Zipp Disc	<input type="checkbox"/> 15" <input type="checkbox"/> 15-1/2" <input type="checkbox"/> 16"	
	1152972	<input type="checkbox"/> Coated Handrim, for Tri-Spoke	Outside Dia.	
5	1152973	<input type="checkbox"/> Taped Handrim, for Tri-Spoke	<input type="checkbox"/> 13" <input type="checkbox"/> 13-1/2" <input type="checkbox"/> 14" <input type="checkbox"/> 14-1/2"	
	1152974	<input type="checkbox"/> Bare Handrim, for Tri-Spoke	<input type="checkbox"/> 15" <input type="checkbox"/> 15-1/2" <input type="checkbox"/> 16"	

Footnotes: 1. For center of rim to pushrim hole distance of 7-1/4". If other, specify _____



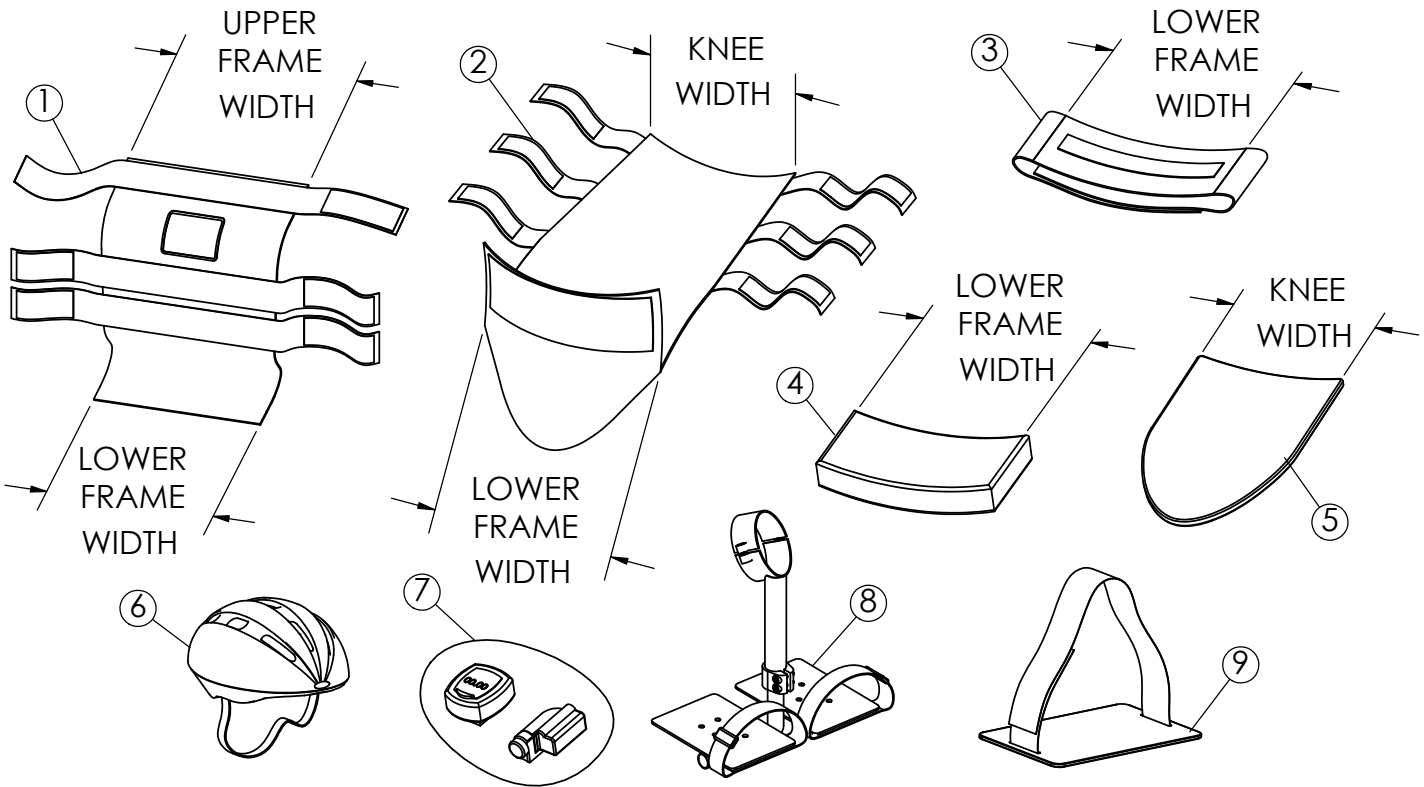
Sports and Recreation Products
 4501 63rd Circle North
 Pinellas Park, FL 33781
 (800) 532-8677 (727) 522-8677
 Fax: (727)522-1007

Parts Order Diagram Eliminator Upholstery / Accessories

Date: _____ P.O./Customer#: _____ Ship to Customer Provider Part Tracking#: _____
(TOP END Use Only)

Provider _____	Acct# _____
Address _____	Suite _____
City _____	State _____ Zip _____
Work Phone (_____) _____	Fax _____
Cell Phone (_____) _____	
E-mail _____	

Customer _____
Address _____ Apt. _____
City _____ State _____ Zip _____
Home Phone (_____) _____
Cell Phone (_____) _____
E-mail _____



Upper Frame Width	Lower Frame Width	Knee Width
<input type="checkbox"/> 10" <input type="checkbox"/> 10-1/2" <input type="checkbox"/> 11" <input type="checkbox"/> 11-1/2" <input type="checkbox"/> 12" <input type="checkbox"/> 12-1/2" <input type="checkbox"/> 13" <input type="checkbox"/> 13-1/2" <input type="checkbox"/> 14" <input type="checkbox"/> 14-1/2" <input type="checkbox"/> 15" <input type="checkbox"/> 15-1/2" <input type="checkbox"/> 16" <input type="checkbox"/> 16-1/2" <input type="checkbox"/> 17"	<input type="checkbox"/> 10" <input type="checkbox"/> 10-1/2" <input type="checkbox"/> 11" <input type="checkbox"/> 11-1/2" <input type="checkbox"/> 12" <input type="checkbox"/> 12-1/2" <input type="checkbox"/> 13" <input type="checkbox"/> 13-1/2" <input type="checkbox"/> 14" <input type="checkbox"/> 14-1/2" <input type="checkbox"/> 15" <input type="checkbox"/> 15-1/2" <input type="checkbox"/> 16" <input type="checkbox"/> 16-1/2" <input type="checkbox"/> 17"	<input type="checkbox"/> 8" <input type="checkbox"/> 8-1/2" <input type="checkbox"/> 9" <input type="checkbox"/> 9-1/2" <input type="checkbox"/> 10" <input type="checkbox"/> 10-1/2" <input type="checkbox"/> 11" <input type="checkbox"/> 11-1/2" <input type="checkbox"/> 12" <input type="checkbox"/> 12-1/2" <input type="checkbox"/> 13" <input type="checkbox"/> 13-1/2" <input type="checkbox"/> 14" <input type="checkbox"/> 14-1/2" <input type="checkbox"/> 15" <input type="checkbox"/> 15-1/2" <input type="checkbox"/> 16" <input type="checkbox"/> 16-1/2" <input type="checkbox"/> 17"

Item No	Part No	Description	Quantity
1	1145978	Back Upholstery -specify above: Upper Frame Width, Lower Frame Width	
2	1145979	Kneel Upholstery -specify above: Lower Frame Width, Knee Width	
3	1145980	Seat Upholstery -specify above: Lower Frame Width	
4	1145981	Seat Cushion -specify above: Lower Frame Width	
5	1145982	Kneel Foam, 1/4" Black Foam -specify above: Knee Width	
6	1060639	Helmet <input type="checkbox"/> Small <input type="checkbox"/> Medium <input type="checkbox"/> Large	
7	1056875	Cordless Computer	
8	1146075	Footrest, Bolt-on	
9	1152934	Footrest Sling-style -includes plate and straps (three different lengths)	