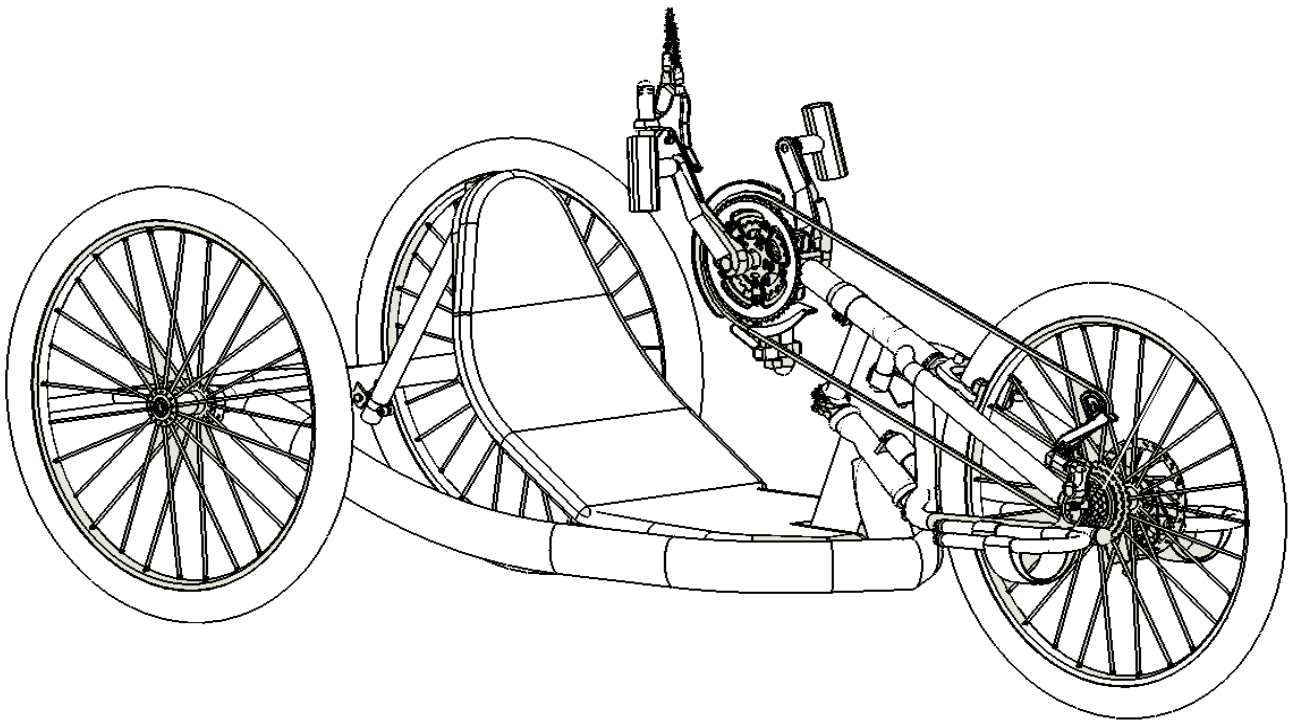




Sports and Recreation Products
4501 63rd Circle North
Pinellas Park, FL 33781
(800) 532-8677 (727) 522-8677
Fax: (727) 522-1007

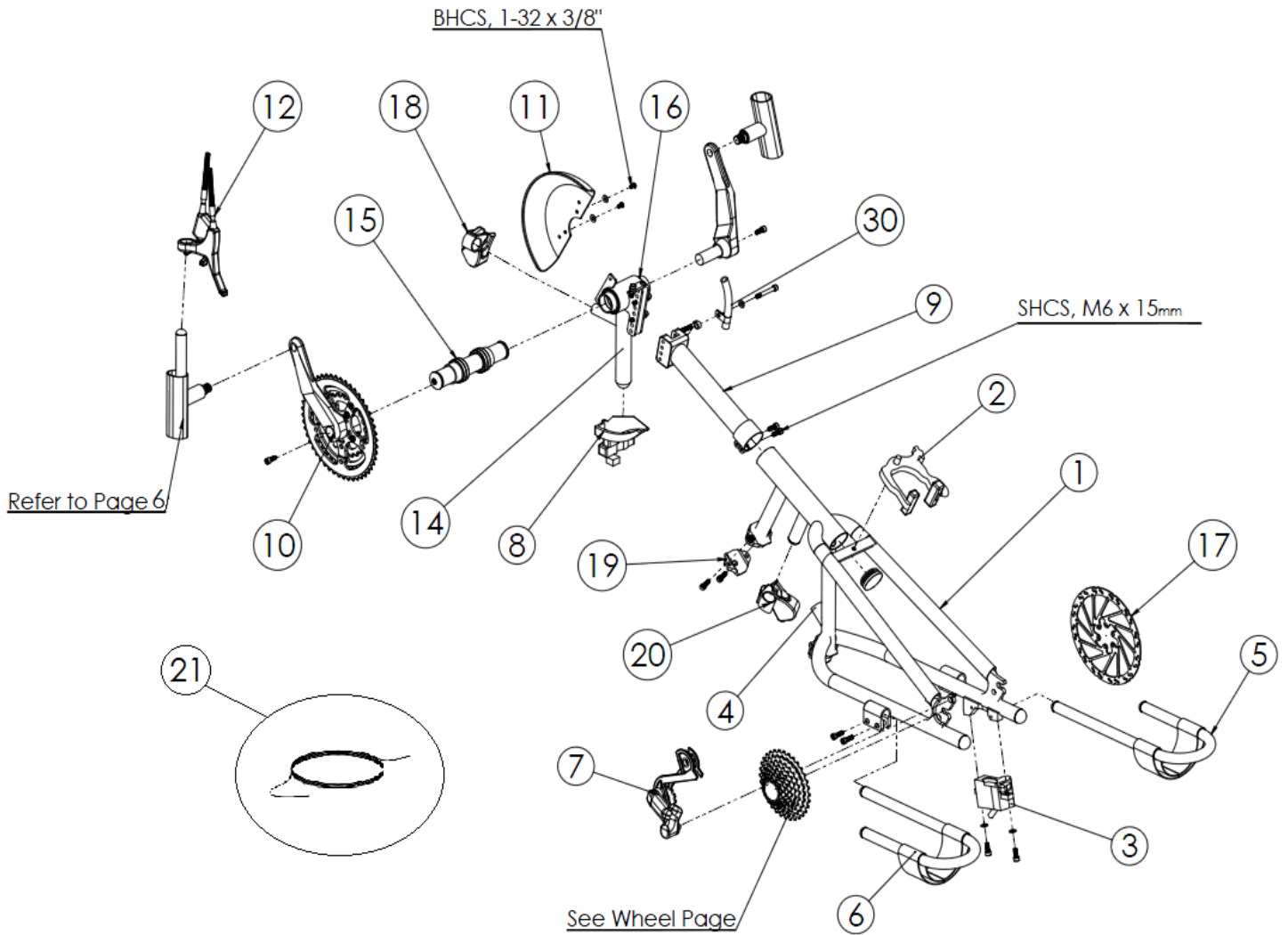
Invacare Top End Parts Catalog Force 3

NOTE: THIS PARTS BOOK APPLIES TO FORCE-3'S WITH SERIAL NUMBERS BEFORE TE1806...





Sports and Recreation Products
 4501 63rd Circle North
 Pinellas Park, FL 33781
 (800) 532-8677 (727) 522-8677
 Fax: (727)522-1007





Invacare Top End Sports and Recreation Products


(800) 532-8677 (727) 522-8677 fax: (727) 522-1007

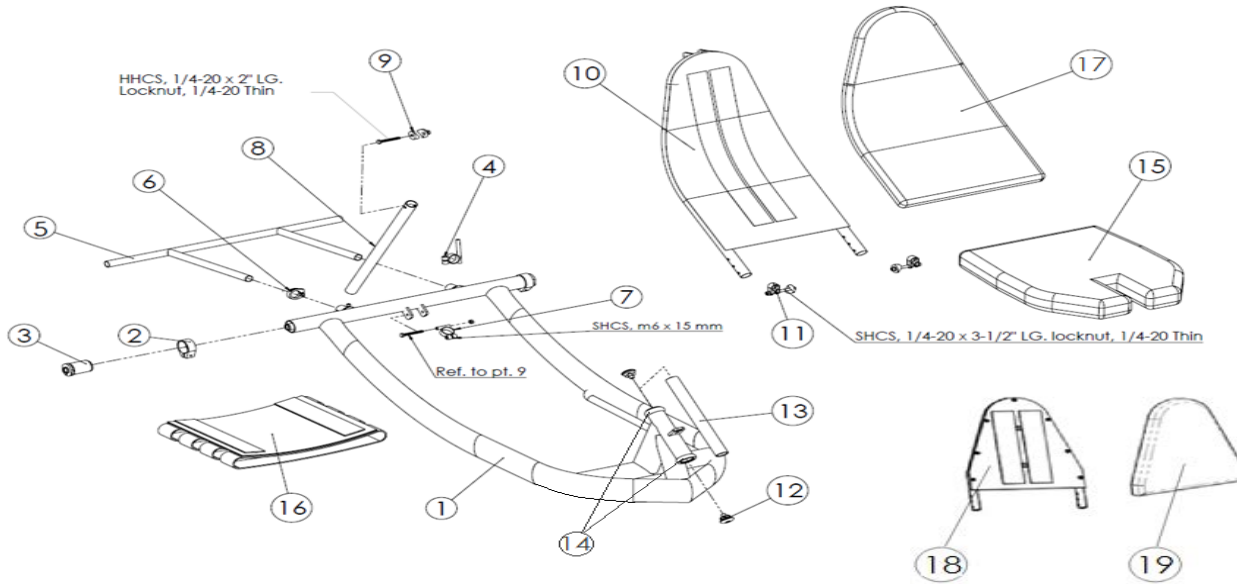
Parts Order Diagram:

Force 3: Fork and Crank

Date:	<input type="text"/>	PO#:	<input type="text"/>	SO#:	<input type="text"/>
Bill To:	<input type="text"/>		Ship To:	<input type="text"/>	
Quote #:	<input type="text"/>	Phone:	<input type="text"/>	Serial #:	<input type="text"/>

ITEM	PART NUMBER	PER BIKE	DESCRIPTION	QTY.	
1	1195275	1	Fork Assembly, Force-3, Top End Made, Replacement Purposes Serial# Required: <input type="text"/>	<input type="text"/>	EA
2	1166689	1	Brake Caliper	<input type="text"/>	EA
3	1156720	1	Disc Brake Caliper	<input type="text"/>	PR
4	1166397	1	Steering Dampener Assembly, (Metric)	<input type="text"/>	EA
5	1153042	2	Handcycle Footrest, (3/4") w/Strap, (5-1/2" Wide) (Original-Black, Replacement-Silver)	<input type="text"/>	EA
	1181341	2	Footrest Short, Force 3	<input type="text"/>	EA
6	1060650	2	Footrest Strap Only	<input type="text"/>	EA
7	1195454	1	Derailleur, 9-Speed for Force-3 Front Wheel	<input type="text"/>	EA
8	1166488	1	Crank Derailleur Cable Driven (Upper Chainring)	<input type="text"/>	EA
9	1153228	1	Crank Assembly/Fork connecting Tube	<input type="text"/>	EA
10	1166394	1	Chainring (48-36-26T) and Crank Arm (170mm) Assembly	<input type="text"/>	EA
	1057052	1	Standard Chain, 154 Links, (Ref. to Chainring Assy.)	<input type="text"/>	EA
11	1156773	1	Chainring Guard, Solid	<input type="text"/>	EA
12	1127946	1	RapidFire Shifter/Brake Lever RH, 9 speed	<input type="text"/>	EA
13	1146020	1	1-3/8" Fork Clamp, with Cable Guide	<input type="text"/>	EA
14	1166393	1	Crank Assy., Vertical Adj. only, [(Threaded Bottom Bracket) Bottom Bracket NOT included	<input type="text"/>	EA
15	1181747	1	Force-3 Bottom Bracket	<input type="text"/>	EA
16	1180993	2	Crank Spacer, (width: 1/4 3/8 1/2 5/8 3/4 7/8 1")	<input type="text"/>	EA
17	1166649	1	Brake Rotor	<input type="text"/>	EA
18	1166481	1	Rear Derailleur Lever	<input type="text"/>	EA
19	1153164	1	Fork Clamp	<input type="text"/>	EA
20	1166481	1	Parking Brake Lever	<input type="text"/>	EA
	1166528	1	Leg Guard Attachment	<input type="text"/>	EA
	1166379	1	Curve Leg Support Kit	<input type="text"/>	EA
21	1146014	1	Cable and Housing, for Parking Brake	<input type="text"/>	EA
	1146015	1	Cable and Housing, for Hand Brake	<input type="text"/>	EA
	1146016	1	Cable and Housing for Shifter (Indicate Shifter Type)	<input type="text"/>	EA
22	TES1	<input type="text"/>	<input type="text"/>	<input type="text"/>	EA

	Invacare Top End Sports and Recreation Products	Parts Order Diagram:	
	(800) 532-8677 (727) 522-8677 fax: (727) 522-1007	Force 3: Frame Assembly	
Date:	PO#:	SO#:	
Bill To:	Ship To:		
Quote #:	Phone:	Serial #:	



ITEM	PART NUMBER	PER BIKE	DESCRIPTION	QTY.	
1	1195276	1	Frame Assembly, 15" Seat Width, Force 3	Serial #: <input type="text"/>	EA
	1195277	1	Frame Assembly, 17" Seat Width, Force 3	Serial #: <input type="text"/>	EA
2	1060882	2	Camber Clamp (with screw)	<input type="text"/>	EA
3	1181744	2	Camber Bushing, 0deg Force-3 Stock	<input type="text"/>	EA
4	1156741	1	Safety flag holder, (will not hold original Flag with orange Pole)	<input type="text"/>	EA
5	1146002	1	Drafting Bumper (includes 2 plugs)	<input type="text"/>	EA
	1139803	2	Plug, 3/4" Black Dome (use with drafting bumper)	<input type="text"/>	EA
6	1139810	1	Clamp, 1" Alloy, single screw	<input type="text"/>	EA
7	1153145	1	Pivot Clamp with hardware (included 2 bolts, 1 nut, 2 Washers)	<input type="text"/>	EA
8	1145958	1	Adjustable Back Support Tube	<input type="text"/>	EA
9	1146019	1	Hardware, Upper Adjustable Back Support Tube	<input type="text"/>	EA
10	1145952	1	Curved Backrest, Force 3	Seat Width: <input type="checkbox"/> 15" Inches <input type="checkbox"/> 17" Inches	EA
11	1146022	1	Hardware, Lower Backrest (Set of 2 Assemblies)	<input type="text"/>	PR
12	1145951	2	Cap, w/Screw M6 x 15mm	<input type="text"/>	PR
13	1166512	1	Headset Shaft Assembly (10-3/8" Long) Include 2 Star Nut.	<input type="text"/>	EA
14	1195288	1	Headset, Threadless Orbit X, 1-1/8" Steerer	<input type="text"/>	EA
15	1166508	1	Seat Cushion	Seat Width: <input type="checkbox"/> 15" Inches <input type="checkbox"/> 17" Inches	EA
16	1063590	1	Seat Upholstery	Seat Width: <input type="checkbox"/> 15" Inches <input type="checkbox"/> 17" Inches	EA
17	1166509	1	Back Cushion	Seat Width: <input type="checkbox"/> 15" Inches <input type="checkbox"/> 17" Inches	EA
18	1181331	1	Straight Backrest, Assembly	Seat Width: <input type="checkbox"/> 15" Inches <input type="checkbox"/> 17" Inches	EA
19	1181332	1	Cushion, Straight Back	Seat Width: <input type="checkbox"/> 15" Inches <input type="checkbox"/> 17" Inches	EA
20	1153156	1	Seatbelt <input type="checkbox"/> 15" Inches <input type="checkbox"/> 17" Inches	<input type="text"/>	EA
21	TES1	<input type="text"/>		<input type="text"/>	EA



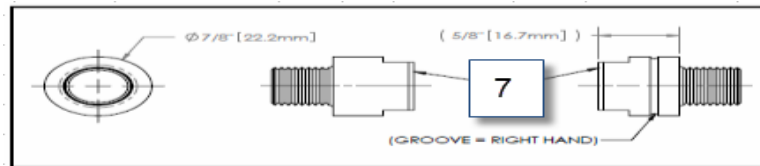
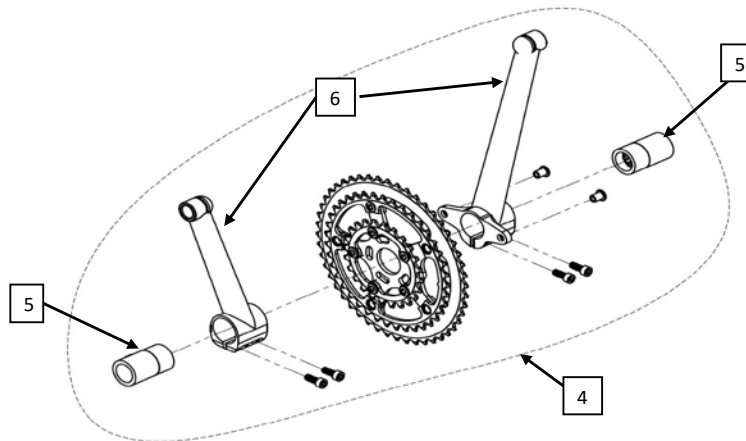
Invacare Top End Sports and Recreation Products

(800) 532-8677 (727) 522-8677 fax: (727) 522-1007

Parts Order Diagram:

Force 3: Pedals and Arms

Date:	PO#:	SO#:
Bill To:	Ship To:	
Quote #:	Phone:	Serial #:



ITEM	PART NUMBER	PER BIKE	Standard Hand Pedals, Force 3				QTY.
NA	1166532	1	Handpedal, non-shifting RIGHT				EA
NA	1166533	1	Handpedal, non-shifting LEFT				EA
NA	1166534	1	Handpedal w/shifting post RIGHT				EA
NA	1166535	1	Handpedal w/shifting post LEFT				EA
				Crank Length (mm)	Crank Width (in)	Hand-Pedal /Crank Detail (check all that apply)	
4	60106228	1	V-Crank Conversion Kit, Force-3	170mm	20"	N/A	EA
5	1181562	2	V-Crank Adapter for Octalink Drive				EA
	1181357	2	V-Crank Adapter for Square Drive				EA
6	1166217	1	Tapered V-Crank Arm Set 1 1/2" Clamps	170mm	20"	N/A	PR
7	1166516	1	Crank Width Extension Set, Adapter (Increase Overall Width by 1-1/4")				EA



Invacare Top End Sports and Recreation Products

(800) 532-8677 (727) 522-8677 fax: (727) 522-1007

Parts Order Diagram:

Force 3: Wheel Assembly

Date:	<input type="text"/>	PO#:	<input type="text"/>	SO#:	<input type="text"/>
Bill To:	<input type="text"/>		Ship To:	<input type="text"/>	
Quote #:	<input type="text"/>	Phone:	<input type="text"/>	Serial #:	<input type="text"/>



Front Wheel 1



Rear Wheel 2

ITEM	PART NUMBER	PER BIKE	DESCRIPTION	QTY.	
1	1181602	1	26"x 1.25" (559) front wheel, (clincher only) Alex silver spoke, disc brake compatible	<input type="text"/>	EA
2	1181604	2	26"x 1.25" (559) rear wheel, (clincher only) Alex silver spoke (axle not included)	<input type="text"/>	EA
	1166462	2	Threaded axle 3-1/4" long	<input type="text"/>	EA
	1181748	3	Tire, 26" x 1.25" (32-559), Cruiser Clincher for Force-3	<input type="text"/>	EA
	1181749	3	Tube, 26" x 1.25" (559) for Cruiser, Force-3	<input type="text"/>	EA
	1057753	3	Tire, 26" x 1.95" Knobby - Black	<input type="text"/>	EA
	1166682	3	Tube, 26x1.50-1.95 w/Presta valve	<input type="text"/>	EA



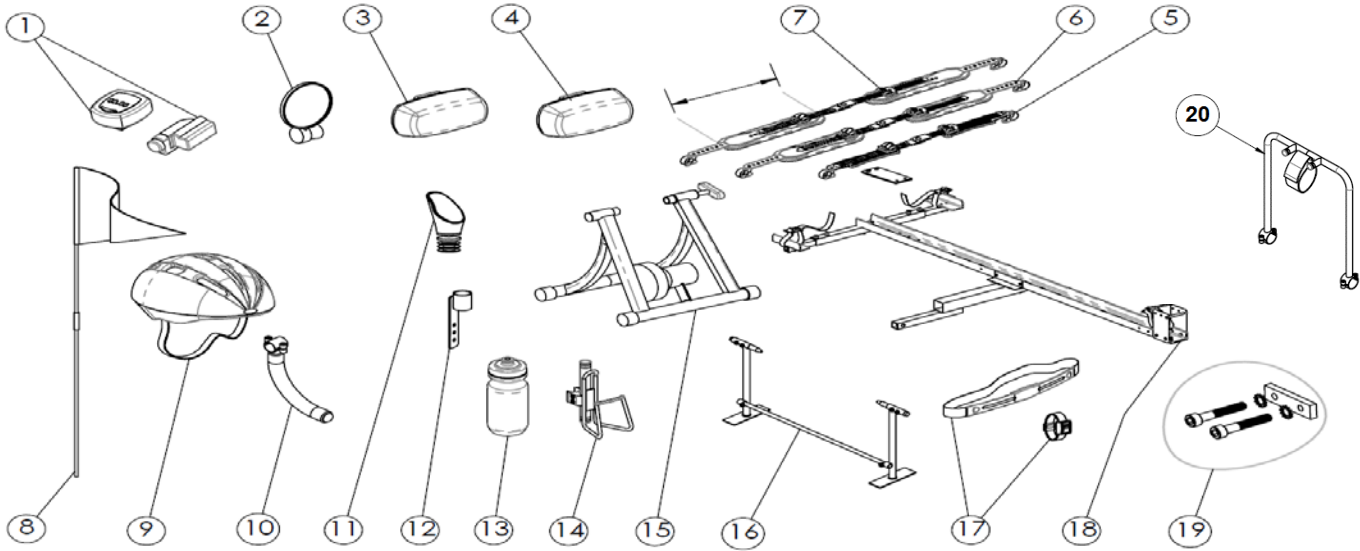
Invacare Top End Sports and Recreation Products

(800) 532-8677 (727) 522-8677 fax: (727) 522-1007

Parts Order Diagram:

Force 3: Accessories

Date:	PO#:	SO#:
Bill To:	Ship To:	
Quote #:	Phone:	Serial #:



ITEM	PART NUMBER	PER BIKE	DESCRIPTION	QTY.	
1	1056875	1	Cordless Computer		EA
2	1181642	1	Mirror, Footrest Mount w/Hardware for 3/4" tube		EA
3	1068721	1	Front Safety Light (clear)		EA
4	1060841	1	Rear Safety Light (red)		EA
5	1152963	1	Click Strap Set 8" (small)		EA
6	1152964	1	Click Strap Set 10" (medium)		EA
7	1152965	1	Click Strap Set 12" (large)		EA
8	1156741	1	Safety flag holder, (Will not hold original Flag with orange Pole)		EA
	1060642	1	Safety flag (Flag Holder p/n 1156741 not include , must order seperate)		EA
9	1060639	1	Helmet: <input type="checkbox"/> Small/Medium <input checked="" type="checkbox"/> Medium/Large		EA
10	1166379	1	Curve Leg Support Kit		EA
11	1153045	1	Mirror, Handle Mount		EA
12	1166628	1	Mirror Bracket, Chainguard Mount (include: two Screw, #10-32 x 1/2")		EA
13	1166517	1	Water Bottle		EA
14	1068718	1	Water Bottle, Cage and Hardware (Indicated Bike Model)		PR
15	1116580	1	Indoor Training Roller		EA
	XLT97*	1	SportCrafters handcycle mini roller		EA
16	1109717	1	Alignment Guage		EA
17	1139799	1	Heart Monitor (Chest Strap and Watch)		EA
18	1068771	1	Bike Rack for trailer hitch Receiver Size: <input type="checkbox"/> 1-1/4" (std) <input type="checkbox"/> 2"		EA
19	1181670	2	Footrest Plate Nut Assembly, Force-3		EA
20	1195146	1	Tow Bar Assembly, Force-3		EA
	1166528	1	Leg Guard Attachment		EA
	1166518	1	Tool and Tire Repair Kit		EA
	RACE4	1	Wheel Bag (fit 3 700c Wheels)		EA
	RACE13	1	Top End Racing Jersey, Short Sleeve <input type="checkbox"/> Large <input type="checkbox"/> X-Large		EA

