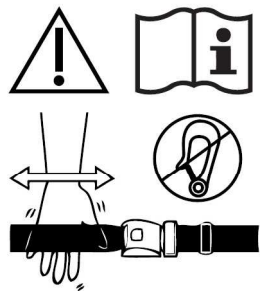


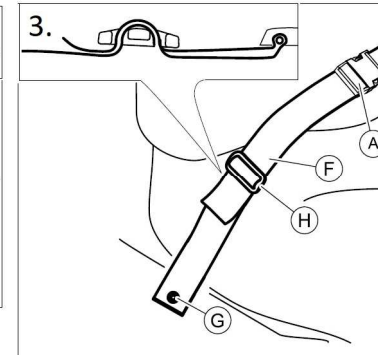
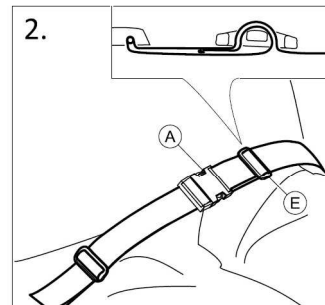
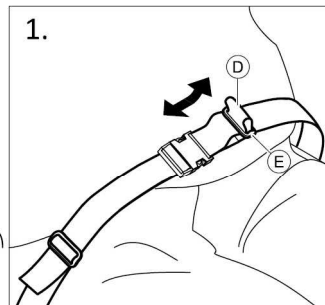
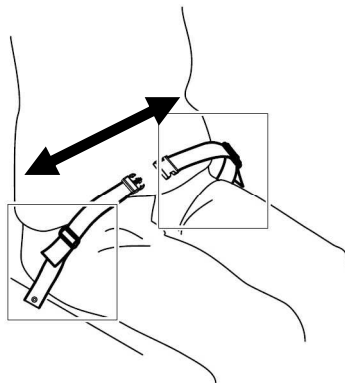
Invacare France Operations SAS
Route de St Roch
37230 Fondettes, France



1



1601540



2

