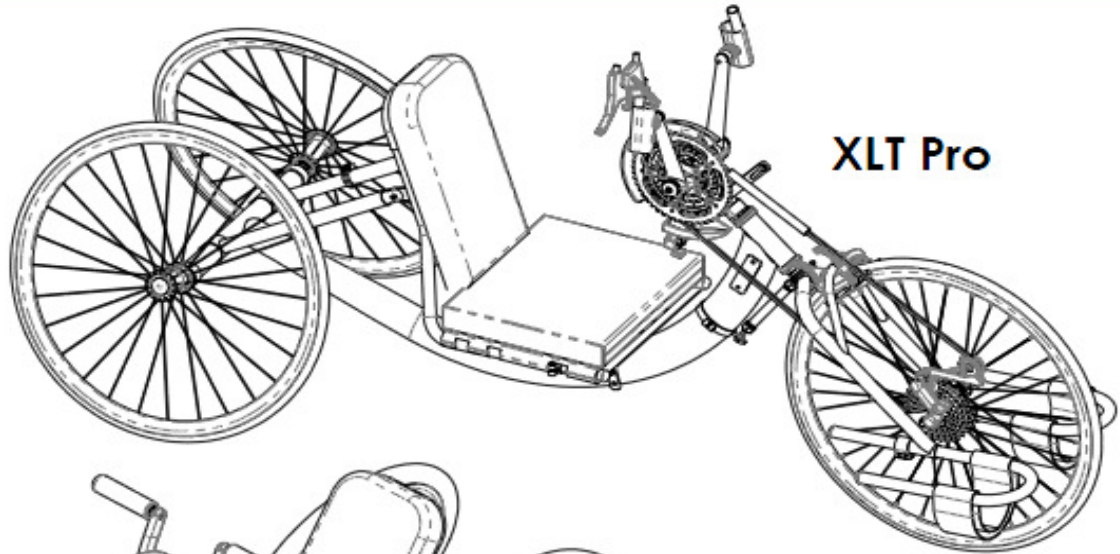


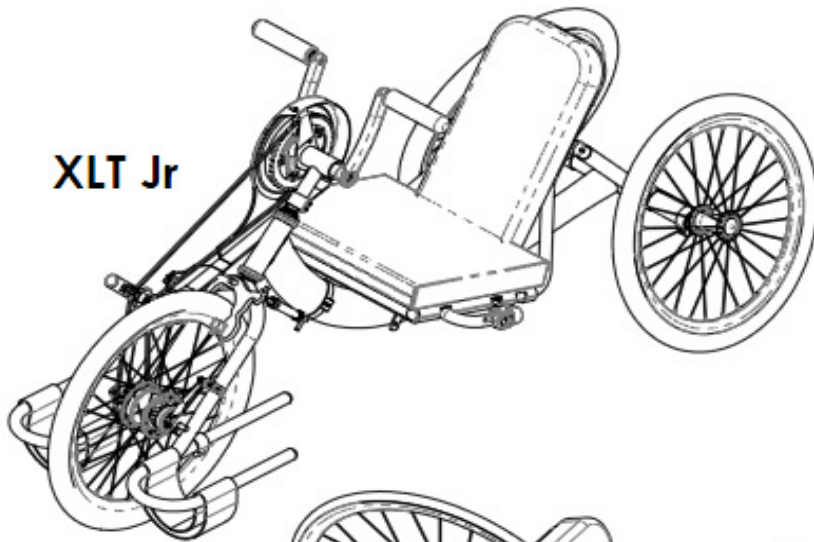


Sports and Recreation Products
4501 63rd Circle North
Pinellas Park, FL 33781
(800) 532-8677 (727) 522-8677
Fax: (727)522-1007

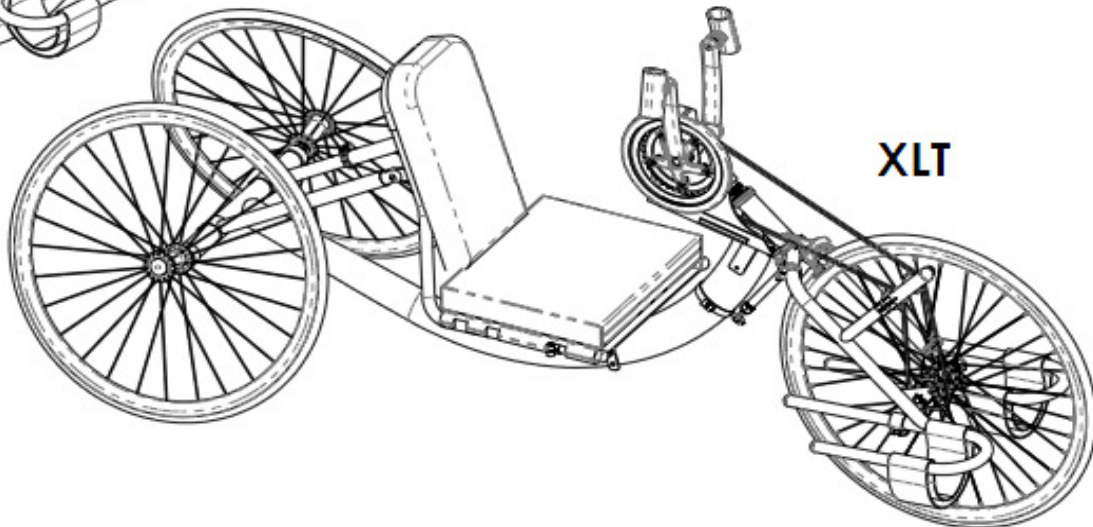
Invacare Top End Parts Catalog



XLT Pro

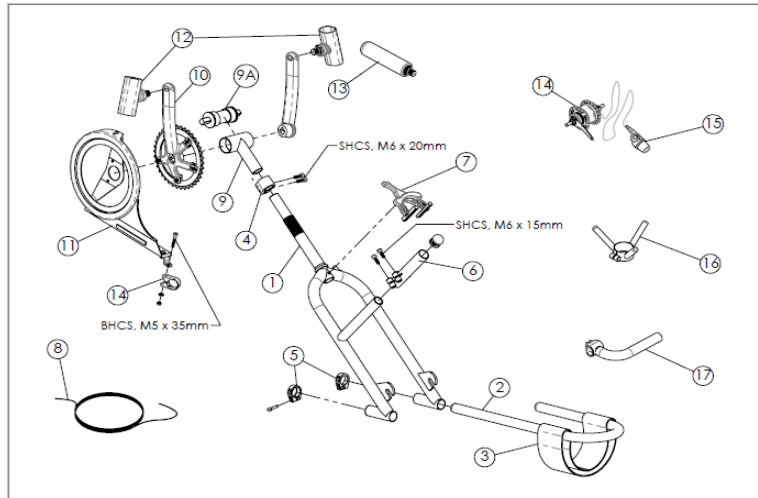


XLT Jr



XLT

	Invacare Top End Sports and Recreation Products	Parts Order Diagram:
	(800) 532-8677 (727) 522-8677 fax: (727) 522-1007	XLT & XLT Jr: Fork Assembly
Date:	PO#:	SO#:
Bill To:	Ship To:	
Quote #:	Phone:	Serial #:



ITEM	PART NUMBER	PER BIKE	DESCRIPTION	QTY.	
1	1054197	1	Fork, XLT		EA
	1056850	1	Fork, XLT Jr		EA
2	1054195	1	Footrest, handcycle w/strap right (silver only)		EA
	1054196	1	Footrest, handcycle w/strap left (silver only)		EA
3	1060650	2	Footrest strap only		EA
4	1060797	1	Clamp, Crank Support (Includes two Screws)		EA
5	1139810	2	1" clamp, Single Screw		EA
6	1068768	1	Chain idler assembly		EA
7	1127940	1	Brake caliper for High Performance tire (Metal Rim only) NOTE: Prior to 10/3/2017 Brake Caliper was Silver		EA
	1060212	1	Brake caliper for Knobby/Cruiser tire & XLT Jr		EA
8	1146014	1	Cable and housing for parking brake		EA
9	1109753	1	Crank support housing (does not including cranks or bottom bracket)		EA
9A	1068746	1	Bottom Bracket, (Bearing & Spindle)		EA
10	1056873	1	Crank set, XLT (includes crank arms and chainring) 175mm		EA
	1109737	1	Crank set, XLT Jr (includes crank arms and chainring) 155mm		EA
	60001673	1	Chain Asm 7sp XLT Pro		EA
	60001674	1	Chain Asm 7sp XLT Jr		EA
11	1166523	1	Chainguard: <input type="checkbox"/> XLT <input type="checkbox"/> XLT Jr		EA
	1166532	1	Handpedal, non-shifting Right		EA
	1166533	1	Handpedal, non-shifting Left		EA
	1166534	1	Handpedal w/shifting post Right		EA
	1166535	1	Handpedal w/shifting post Left		EA
13	1065270	1	Handpedal Horizontal Right		EA
	1195261	1	Handpedal Horizontal Left		EA
	1060670	1	Tri-pin Quad Handpedal - Right Hand		EA
	1060671	1	Tri-pin Quad Handpedal - Left Hand		EA
	60001444	1	Quad Grip Handpedals w/3" Width Adapter & Wrap		PR
	1180880	1	QuadGrips (Include RH & LH)		PR
	1180881	1	QuadWraps (Include RH & LH)		PR
	1180883	1	QuadGrip hand pedal extensions, 3" (RH & LH)		PR
14	1056872	1	7 speed hub & shifter		EA
15	1060648	1	Shifter Only (Twist Shifter)		EA
16	1139822	1	Quad shifter adapter (requires quad shifter mounting bar, 1156723)		EA
	1134540	1	Spacer for Mounting Quad Shifter		EA
17	1156723	1	Quad shifter mounting bar (longer to accommodate quad shifter adapter)		EA
	1156722	1	Standard shifter mounting		EA
	1181700	1	Mountain Drive Crank Assembly XLT (includes crank arms, chainguard, chainring, mtn drive)		EA
	1059419	1	Sprocket, 38 Teeth x 110mm / 5 bolts		EA
	1156773	1	Chainring Guard, Solid		EA
	1181717	1	V-Crank Conversion Kit, for XLT / XCL Square Drive (180mm Crank Length x 20" Width)		EA
	TES1				EA



Invacare Top End Sports and Recreation Products

(800) 532-8677 (727) 522-8677 fax: (727) 522-1007

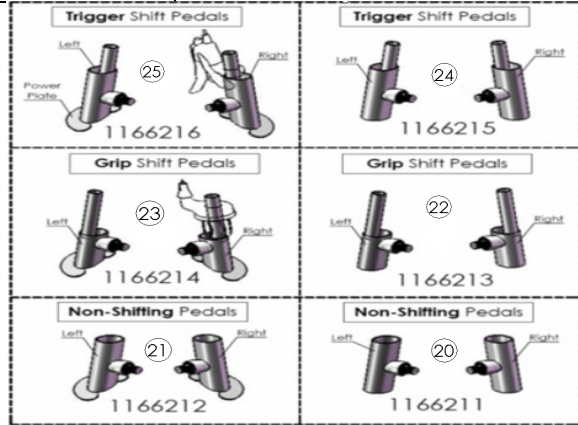
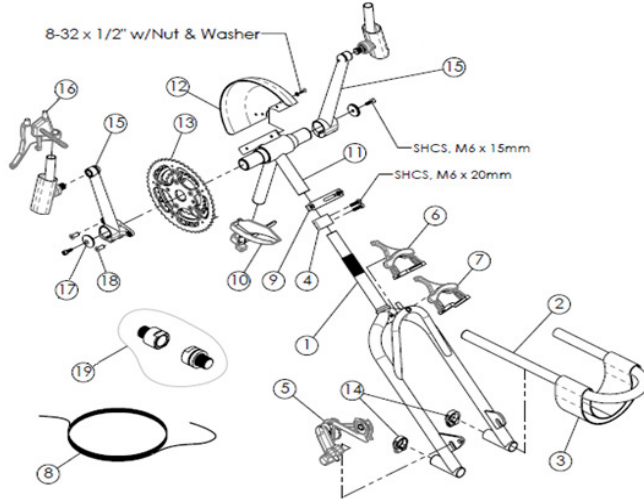
Parts Order Diagram:

XLT Pro: Fork Assembly


Date: _____ PO#: _____ SO#: _____

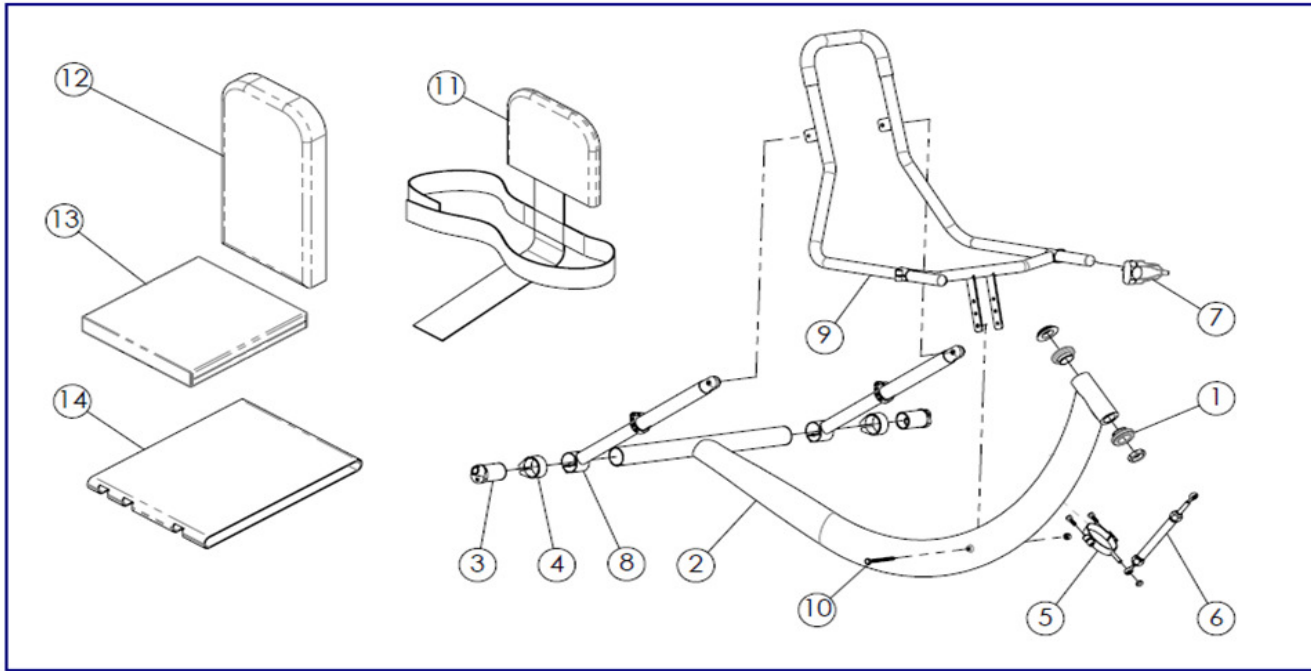
Bill To: _____ Ship To: _____

Quote #: _____ Phone: _____ Serial #: _____



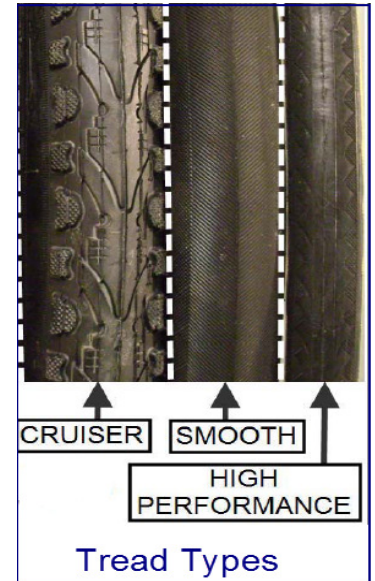
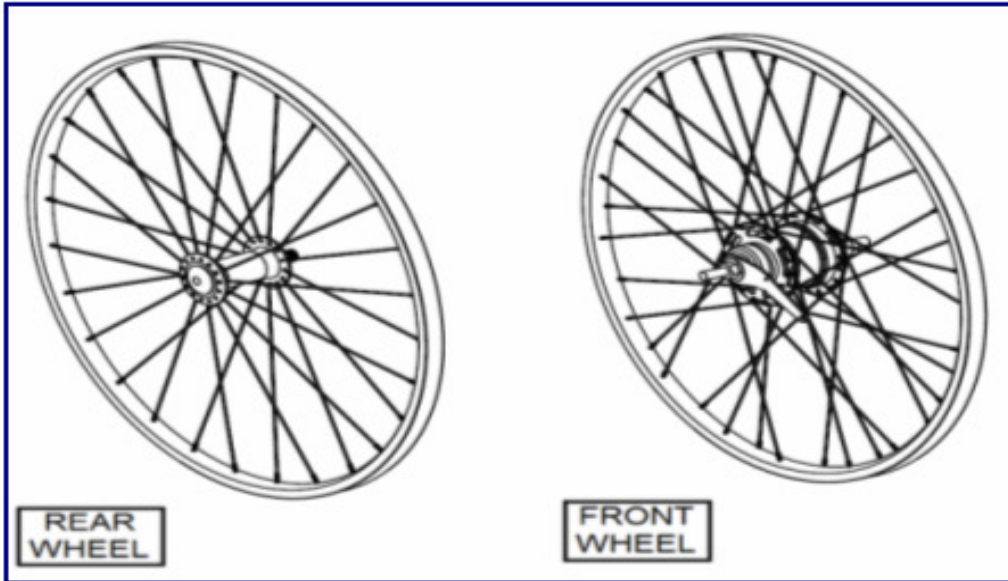
ITEM	PART NUMBER	PER BIKE	DESCRIPTION	QTY.				
1	1059456	1	Fork, XLT Pro double brake style		EA			
2	1054195	1	Footrest, handcycle w/strap right (silver only)		EA			
	1054196	1	Footrest, handcycle w/strap left (silver only)		EA			
3	1060650	2	Footrest strap only		EA			
4	1060797	1	Clamp, Crank Support (Include Two Screws)		EA			
5	1054246	1	Front wheel derailer		EA			
6	1127939	1	Brake caliper for High Performance tire, 27 spd (long stem) NOTE: Prior to 10/3/2017 Brake Caliper was Silver		EA			
7	1127940	1	Brake caliper for High Performance tire, 27 spd (short stem) NOTE: Prior to 10/3/2017 Brake Caliper was Silver		EA			
8	1146014	1	Cable and housing for parking brake		EA			
9	1127879	1	Cable guide assy.		EA			
10	1139745	1	Manual derailer assembly, includes derailer and lever		EA			
11	1153035	1	Crank support assembly, includes housing, spindle and bottom bracket		EA			
12	1156773	1	Chainring guard, solid		EA			
13	1166338	1	Chainring assembly, 48-39-24T black (with separate spider)		EA			
	1196481	1	Chain Asm, 9 sp, 77" w/ Master Link		EA			
14	1139810	2	1" Clamp, Single Screw		EA			
			Bike Serial #	Crank Length (mm)	Crank Width (in)	Hand-Pedal /Crank Detail (check all that apply)		
15	1166217	1	Tapered V-Crank Arm Set 1 1/2" Clamps	<input type="checkbox"/> 170 <input type="checkbox"/> 190 <input type="checkbox"/> 180 <input type="checkbox"/> 200	<input type="checkbox"/> 18 <input type="checkbox"/> 20 <input type="checkbox"/> 19 <input type="checkbox"/> 21	<input type="checkbox"/> 7 Degree <input type="checkbox"/> Quad-Grips		PR
16	1127946	1	Rapidfire shifter RH (Includes: Brake Lever, Shifter, and Cable) (Does not include item 8)					EA
	1180880	1	QuadGrips (Include RH & LH)					PR
	1180881	1	QuadWraps (Include RH & LH)					PR
17	1145951	2	Cap and screw					EA
18	1109802	2	Chainring bolt, M8x.75 x 9mm long					EA
19	1166516	1	Crank Width Extensions					PR
20	1166211	1	Handpedal, Non-Shifting	<input type="checkbox"/> Lg <input type="checkbox"/> Med <input type="checkbox"/> Small		<input type="checkbox"/> 15 deg <input type="checkbox"/> 25 deg	<input type="checkbox"/> R <input type="checkbox"/> L	EA
21	1166212	1	Handpedal w/ Power Plate, Non-Shifting	<input type="checkbox"/> Lg <input type="checkbox"/> Med <input type="checkbox"/> Small		<input type="checkbox"/> 15 deg <input type="checkbox"/> 25 deg	<input type="checkbox"/> R <input type="checkbox"/> L	EA
22	1166213	1	Handpedal, Grip Shift	<input type="checkbox"/> Lg <input type="checkbox"/> Med <input type="checkbox"/> Small		<input type="checkbox"/> 15 deg <input type="checkbox"/> 25 deg	<input type="checkbox"/> R <input type="checkbox"/> L	EA
23	1166214	1	Handpedal w/ Power Plate, Grip Shifting	<input type="checkbox"/> Lg <input type="checkbox"/> Med <input type="checkbox"/> Small		<input type="checkbox"/> 15 deg <input type="checkbox"/> 25 deg	<input type="checkbox"/> R <input type="checkbox"/> L	EA
24	1166215	1	Handpedal, Trigger Shift	<input type="checkbox"/> Lg <input type="checkbox"/> Med <input type="checkbox"/> Small		<input type="checkbox"/> 15 deg <input type="checkbox"/> 25 deg	<input type="checkbox"/> R <input type="checkbox"/> L	EA
25	1166216	1	Handpedal w/ Power Plate, Trigger Shift	<input type="checkbox"/> Lg <input type="checkbox"/> Med <input type="checkbox"/> Small		<input type="checkbox"/> 15 deg <input type="checkbox"/> 25 deg	<input type="checkbox"/> R <input type="checkbox"/> L	EA
	TES1							EA

	Invacare Top End Sports and Recreation Products	Parts Order Diagram:	
	(800) 532-8677 (727) 522-8677 fax: (727) 522-1007	XLT, XLT Jr., & XLT Pro: Frame Assembly	
Date: _____	PO#: _____	SO#: _____	
Bill To: _____	Ship To: _____		
Quote #: _____	Phone: _____	Serial #: _____	



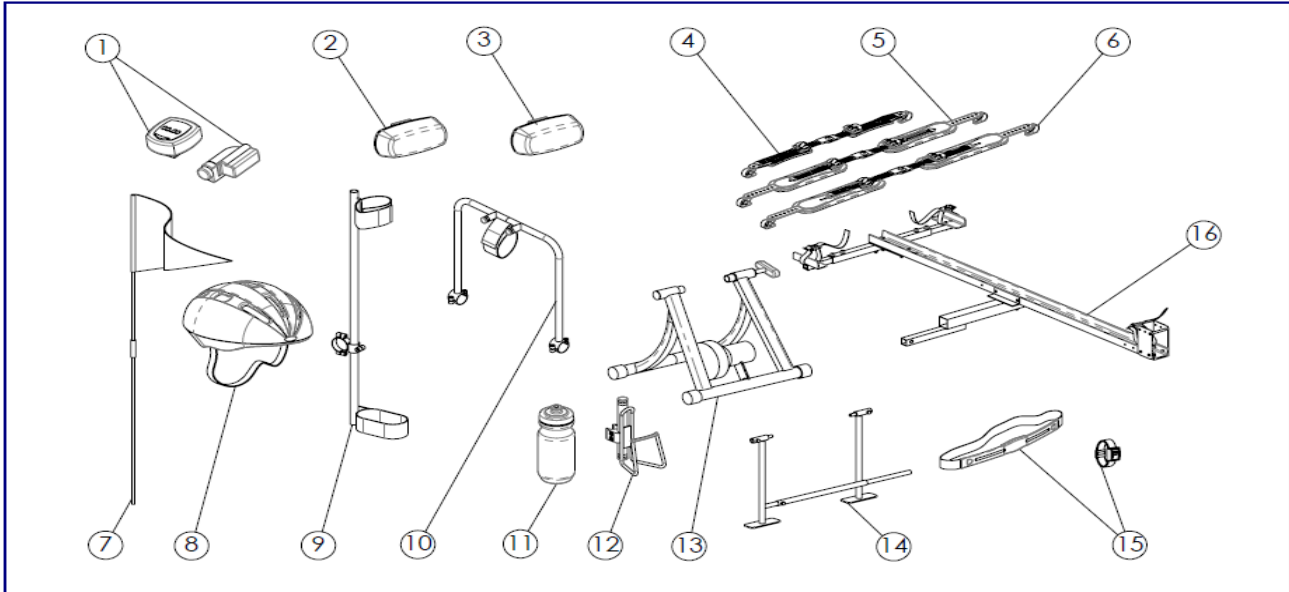
ITEM	PART NUMBER	PER BIKE	DESCRIPTION	QTY.	
1	1056876	1	Fork headset bearing kit		EA
2	60001476	1	Frame Assembly, XLT		EA
	1059582	1	Frame XLT Jr		EA
3	1060950	2	Camber Bushing, 15 degrees, Quick Release		EA
	1181138	2	Camber Bushing, 15 degrees, Integrated thread		EA
4	1060882	2	Camber clamp assembly		EA
5	1116522	1	Compensator clamp		EA
6	1059441	1	Compensator adjustment cylinder		EA
7	1196289	1	Rec Flip Lever Brake Assembly XLT (30" Cable & Housing)		EA
8	1054198	2	Seat support assembly XLT & XLT Pro (includes all bolts & clamp)		EA
	1153039	2	Seat support assembly XLT Jr (includes all bolts & clamp)		EA
9	1195447	1	XLT Seat Frame asm 14" SW Narrow		EA
	1195448	1	XLT Seat Frame asm 15" SW Narrow		EA
	1195449	1	XLT Seat Frame asm 16" SW Narrow		EA
	1195450	1	XLT Seat Frame asm 17" SW Narrow		EA
	1195451	1	XLT Seat Frame asm 18" SW Narrow		EA
	1195452	1	XLT Seat Frame asm 19" SW Narrow		EA
	1153037	1	XLT & XLT Pro seat frame asbly- Wide SW: <input type="checkbox"/> 14 <input type="checkbox"/> 15 <input type="checkbox"/> 16 <input type="checkbox"/> 17 <input type="checkbox"/> 18		EA
	1153040	1	XLT Jr seat frame assembly		EA
10	1152980	1	Seat frame mounting hardware (screw 1/4-20 x 2-1/2" HHCS and locknut)		EA
11	1060887	1	Back Upholstery <input type="checkbox"/> Narrow back Seat Width: _____		EA
12	1060896	1	Back Cushion <input type="checkbox"/> Narrow Back Seat Width: _____		EA
13	1127963	1	Seat upholstery, adjustable tension Seat Width: _____		EA

	Invacare Top End Sports and Recreation Products	Parts Order Diagram:	
	(800) 532-8677 (727) 522-8677 fax: (727) 522-1007	XLT, XLT Jr., & XLT Pro: Wheel Assembly	
Date: <input type="text"/>	PO#: <input type="text"/>	SO#: <input type="text"/>	
Bill To: <input type="text"/>	Ship To: <input type="text"/>		
Quote #: <input type="text"/>	Phone: <input type="text"/>	Serial #: <input type="text"/>	



ITEM	PART NUMBER	PER BIKE	DESCRIPTION	QTY.	
XLT					
	1060864	1	26 In. (650) High Performance Front Wheel (Drive), with Shimano 7 speed hub	<input type="text"/>	EA
	1060279	2	26 In. High Performance Rear Wheel (Non-Drive), Quick Release Axle	<input type="text"/>	EA
	1060149	3	Tire 26" Hi-Performance Clincher	<input type="text"/>	EA
	1060160	3	Tube 26" (Hi-Performance), Standard Stem	<input type="text"/>	EA
XLT Jr					
	1060696	1	20" Cruiser Front Wheel with Shimano 7 speed hub (Clincher Only)	<input type="text"/>	EA
	1061309	2	20" Cruiser Rear Wheel (Clincher Only)	<input type="text"/>	EA
	1057762	3	Tire, 20" Smooth	<input type="text"/>	EA
	1057763	3	Tube, 20"	<input type="text"/>	EA
XLT Pro					
	1139801	1	26 In. (650) High Performance Front Wheel (Drive)	<input type="text"/>	EA
	1060279	2	26 In. (650) High Performance Rear Wheel (Non-Drive), Quick Release Axle	<input type="text"/>	EA
	1156711	1	SRAM Cassette, 11-34 (9 Speed)	<input type="text"/>	EA
	1060149	3	Tire 26" Hi-Performance Clincher	<input type="text"/>	EA
	1060160	3	Tube 26" (Hi-Performance), Standard Stem	<input type="text"/>	EA
Misc					
	1181758	3	RIM STRIP BK-WHEEL , 20" (406) X 19MM	<input type="text"/>	EA
	1139812	3	STRIP, RIM, (legacy) 26"(650) X 16MM	<input type="text"/>	EA
	1065303	2	Quick Release Axle	<input type="text"/>	EA

	Invacare Top End Sports and Recreation Products	Parts Order Diagram:	
	(800) 532-8677 (727) 522-8677 fax: (727) 522-1007	XLT, XLT Jr., & XLT Pro: Accessories	
Date: <input type="text"/>	PO#: <input type="text"/>	SO#: <input type="text"/>	
Bill To: <input type="text"/>		Ship To: <input type="text"/>	
Quote #: <input type="text"/>	Phone: <input type="text"/>	Serial #: <input type="text"/>	



ITEM	PART NUMBER	PER BIKE	DESCRIPTION	QTY.	
1	1056875	1	Cordless computer		EA
2	1068721	1	Front safety light (clear)		EA
3	1060841	1	Rear safety light (red)		EA
4	1152963	1	Click strap set, 8" (small)		EA
5	1152964	1	Click strap set 10" (medium)		EA
6	1152965	1	Click strap set 12" (large)		EA
7	1060642	1	Safety flag		EA
	1181836	1	Flag Holder Assembly, Clamp on 3/4" x 7/8"		EA
8	1061251	1	Helmet, SM-MED		EA
	1060638	1	Helmet, MEDIUM-LARGE		EA
9	1068723	1	Crutch holder, indicated bike model and serial #		EA
10	1181623	1	Tow bar for wheelchair		EA
11	1166517	1	Water bottle		EA
12	1068718	1	Water bottle, cage and mounting hardware (indicated bike model)		PR
13	1116580	1	Indoor training roller		EA
14	1109717	1	Alignment gauge		EA
15	1139799	1	Heart monitor (includes chest strap and watch)		EA
16	60001619	1	Bike rack, hitch size: 1-1/4"		EA
	60001638	1	Bike rack, hitch size: 2"		EA
	1068722	1	Safety mirror (mounts inside footrest tube, does not require additional hardware)		EA
	1153045	1	Mirror, handpedal mount (must have handpedal with post)		EA
	1065268	1	Leg Guard Attachment		EA
	1060798	1	Backpack Hydration System		EA
	1166518	1	Tool and Tire Repair Kit		EA
	1065327	1	Wheel bag with Top End logo [RACE4]		EA
	1059585	1	Top End racing jersey, short sleeve <input type="checkbox"/> Large <input type="checkbox"/> X-Large		EA
	60001521	1	T-shirt, Top End logo, Large		EA
	60001522	1	T-shirt, Top End logo, Extra Large		EA
	1166516	2	Crank Width Adapter Set		PR
	1116539	1	XLT drafting bumper (ind seat width)		PR
	TES1				EA

Date	Date	Revision History	Who
G	3/15/2016	Added "Revision History" log	SDZ
H	3/21/2016	Fixed formatting issues	KVP
I	3/22/2016	Corrected mirror footrest mount description	DJS
J	3/24/2016	Change V-Crank reference to new part number with new input values	DJS
K	5/17/2016	Removed 1109754 and 1109747 from page 2, replaced with 1181700 Mountain Drive. Added 1059414 and removed mountain drive image	PES
L	6/8/2016	Revised page 2 and 3 to correct description for p/n 1060797, Replaced clamp #1093511 with #1139810. Added item#21 pn 1166516 Crank Width Extensions on page 3.	KTS
M	2/21/2017	Replaced 1060291 with 1196288 Rec Flip Lever Brake Assembly. Removed 1068761	SDZ
		Page 2, Item 12: Replaced 1166211 with 1166532,1166533, 1166534, 1166535;	
N	9/18/2017	Added Rev Letters to Design History page. Page 2 - Replaced 1063576 with 60001673/60001674, Replaced 1166211 with 1166532, 1166533, 1166534, 1166535; removed 1068702, added 1195261, 1166617, 1180883, 1181357, 6001444; Page 3, Replaced 1057052 with 1196481, Added Handpedal chart. Page 4, Item 2: Replaced 1057055 with 60001476 XLT frame assembly; Item 3: Replaced 1068760 with 1060950, 1061179 with 1181138; Item 4: 1116530 replaced with 1060882 Camber Clamp Asm; Replaced 1153144 with 1195447, 1195448, 1195449, 1195450, 1195451, 1195452; Item 13 Removed 1054272; changed item 14 to 13, updated description of item 3. Page 5 - Added (9 speed) to 1156711; Replaced 1059578 with 1060279 for XLT and XLT Pro; 1061213 with 1181758 and 1139812; 1065289 with 1061309. Page 6 - Replaced 1063516 with 1181836, 1060639 with 1061251 and 1060638; 1068720 with 1181623; Race4 with 1065327, Race13 with 1059585, Race22 with 60001521 and 60001522; 1068771 with 60001619 and 60001638; Added 1116539.	ADP & SLN
o	12/5/2018	Page 2 - Replaced 1166217 and 1181357 with 1181717 V-crank kit	PES