

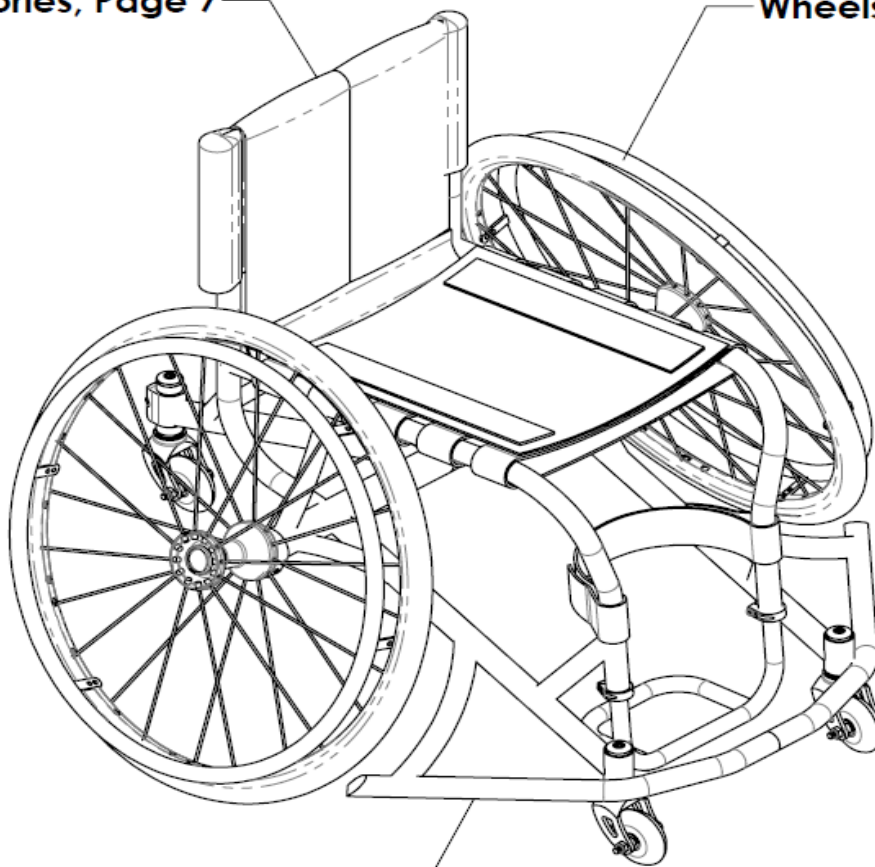


Sports and Recreation Products
4501 63rd Circle North
Pinellas Park, FL 33781
(800) 532-8677 (727) 522-8677
Fax: (727)522-1007

Invacare Top End Parts Catalog Top End Schulte 7000 Series BB & T-5 Tennis

Accessories, Page 7

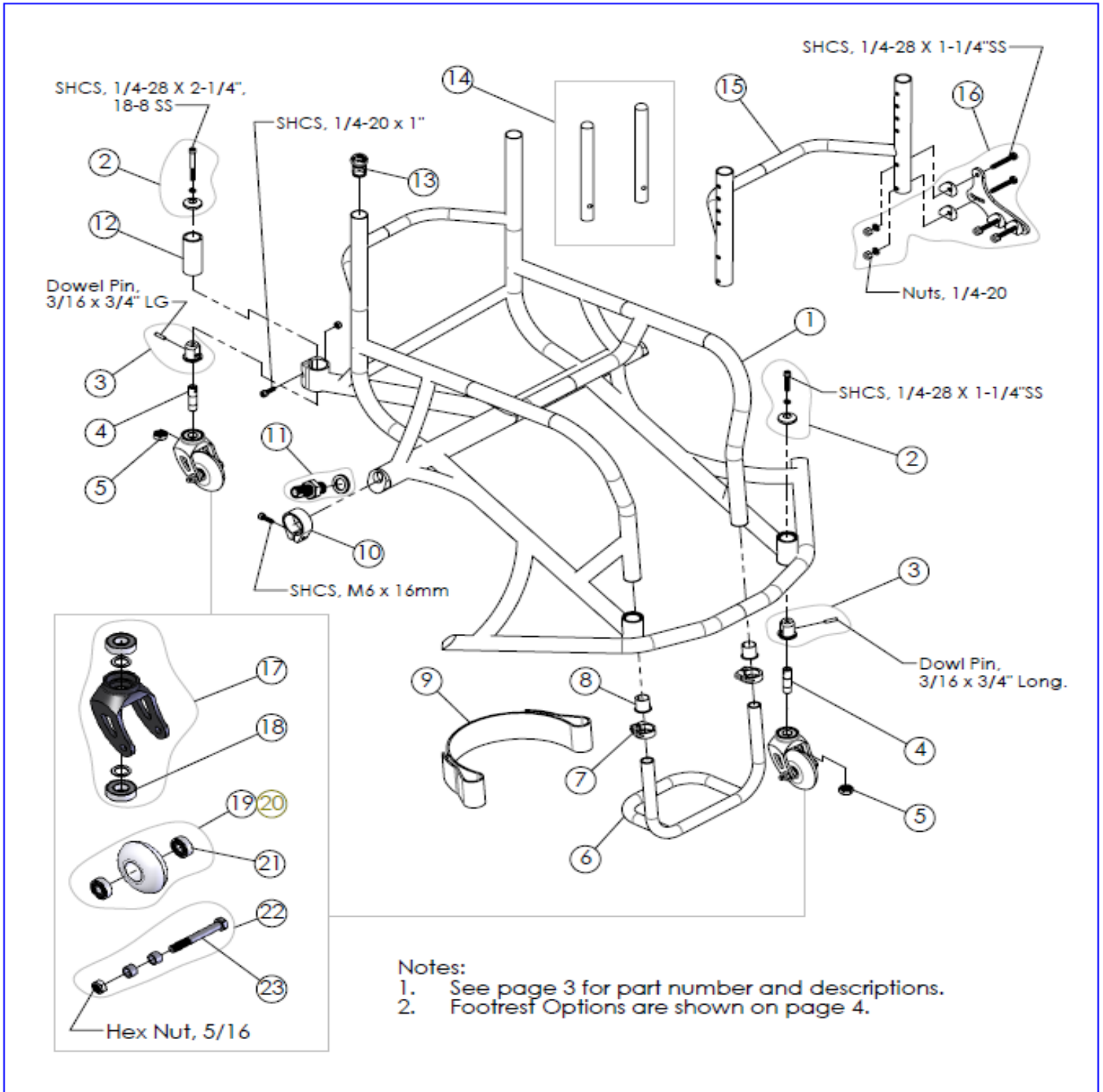
Wheels, Page 5, 6



Frame Assy., Page 2, 3



Sports and Recreation Products
 4501 63rd Circle North
 Pinellas Park, FL 33781
 (800) 532-8677 (727) 522-8677
 Fax: (727) 522-1007





Invacare Top End Sports and Recreation Products


(800) 532-8677 (727) 522-8677 fax: (727) 522-1007

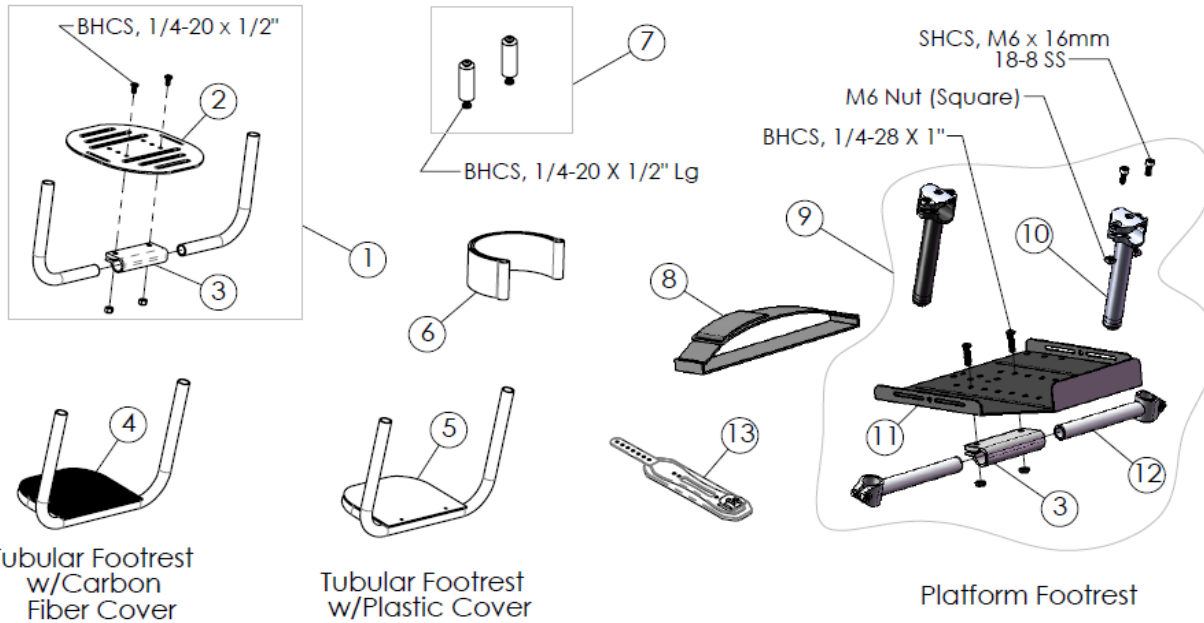
Parts Order Diagram:

7000 Series BB/T-5: Frame Assembly

Date:	PO#:	SO#:
Bill To:	Ship To:	
Quote #:	Phone:	Serial #:

ITEM NO.	PART NUMBER	PER Chair	DESCRIPTION	ORDER QTY	
1	1166439	1	Frame: 7005 BB Aluminum, Send new complete chair order form.	Original Serial #: <input type="text"/>	EA
	1166440	1	Frame: 7005 T-5 Tennis Aluminum, Send new complete chair order form.	Original Serial #: <input type="text"/>	EA
2	1166364	3	Headtube Cap, (Include 1/4-28 Bolt) Bolt Length: 1-1/4" Front or 2-1/4" Rear		EA
3	1166541	3	Headtube Bushing & Dowel Pin (3/16 x 3/4" LG) Assembly		EA
4	1166362	3	Fork Stem		EA
5	1025737	3	Nut, 1/2-20 Nylock (include washer)		EA
6	1143278	1	Tubular Footrest, (1) Piece Aluminum	Footrest Width: <input type="text"/>	EA
7	1139810	2	Clamp, Footrest, 1" Dia.		EA
8	1153067	2	Footrest Bushing		EA
9	1054268	1	Leg / Calf Strap <input type="checkbox"/> 8-10" (36") <input type="checkbox"/> 10.5-13" (41") <input type="checkbox"/> 13.5" + (46")	Footrest Width: <input type="text"/>	EA
10	1116530	2	Camber Clamp, Extruded (includes SHCS, M6 x 16mm)		EA
11	1166616	2	Axle Receiver, Lock Washer, Washer, Nut Assembly (Sport)		EA
12	1166383	1	Headtube, Anti-Tip		EA
13	1181184	2	Alum Dome Plug, with Rubber O-ring: <input type="checkbox"/> Fixed Back 1" dia. <input type="checkbox"/> Adj. Back 3/4" dia.		EA
14	1026972	1	Adj. Height Back Extensions (Pair) <input type="checkbox"/> Fixed Back <input type="checkbox"/> Adjustable Back		PR
15	1153112	1	Frame, Backrest	Seat Width: <input type="text"/> Back Height: <input type="text"/>	EA
16	1166452	2	Backrest Bracket Asm (incl: (1) Bracket, (4) bolts, (4) covered washers, (4) nuts)		EA
17	1145935	3	3" Insert Fork Assembly (includes fork and two bearings)		EA
18	1054030	6	Bearing, (1/2" ID x 1-1/8" OD), Fork (2 per each) Note: Bearings pressed in at factory)		EA
19	1145939	1	Caster (59mm) for Rear Anti-tip w/ Composite Hub (2 Bearings Included)		EA
20	1139783	2	Caster (72mm) for Front w/ Composite Hub (2 Bearings Included)		EA
21	1054029	6	Bearing, (5/16" ID x 7/8" OD), Caster (2 per each) Note: Bearings pressed in at factory)		EA
22	1139775	3	Caster Mounting Hardware Kit (Includes Bolt, Nut and (2) Spacers)		EA
23	1054005	3	Bolt, 5/16-18 x 2-1/2" black HHCS	<input type="text"/>	EA
	1127929	1	Telescoping Removable anti-tip (Tennis chair)		EA
	TES1	<input type="text"/>			EA

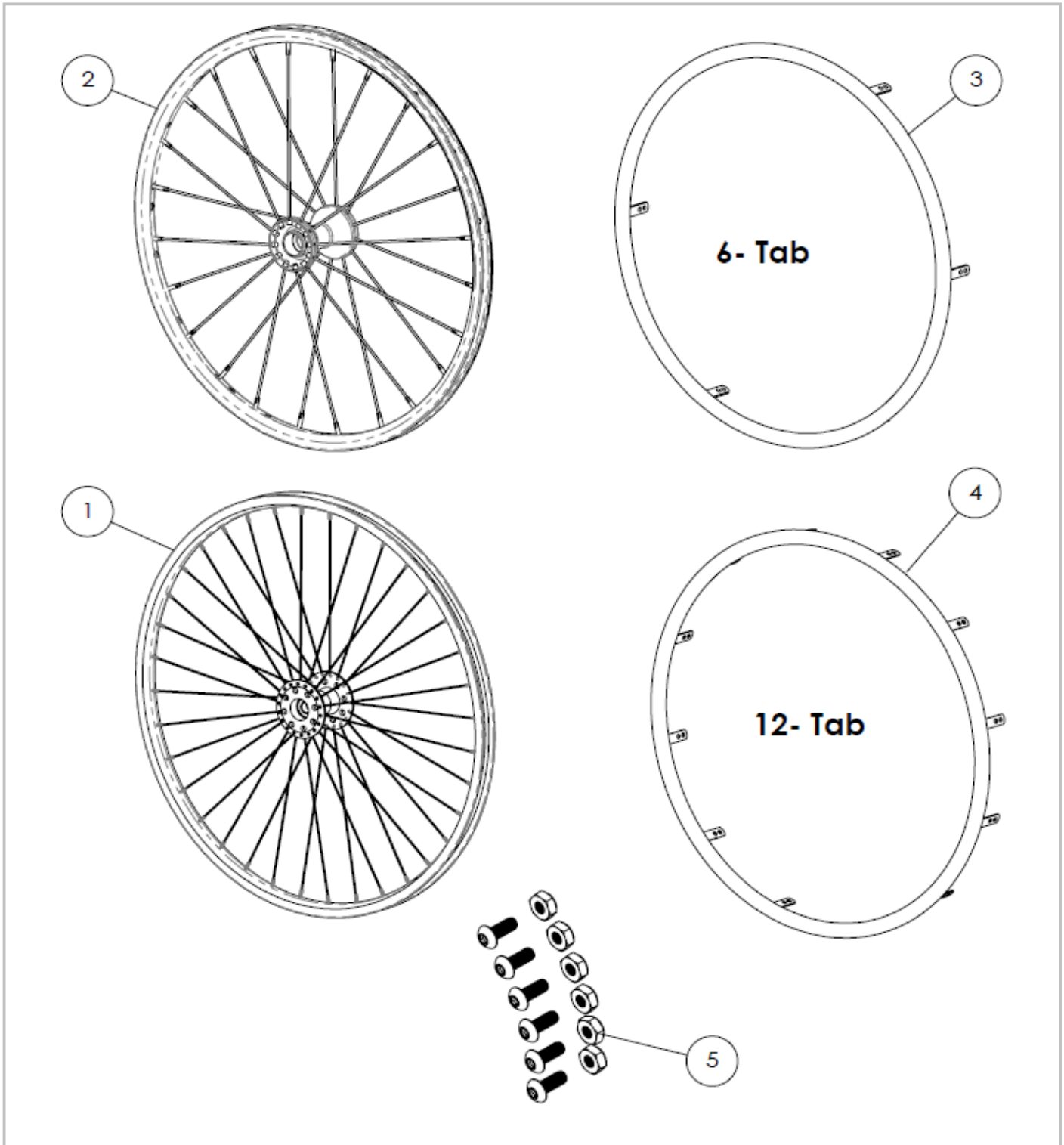
	Invacare Top End Sports and Recreation Products	Parts Order Diagram:	
	(800) 532-8677 (727) 522-8677 fax: (727) 522-1007	7000 Series BB/T-5: Frame Assembly	
Date: <input type="text"/>	PO#: <input type="text"/>	SO#: <input type="text"/>	
Bill To: <input type="text"/>		Ship To: <input type="text"/>	
Quote #: <input type="text"/>	Phone: <input type="text"/>	Serial #: <input type="text"/>	



ITEM NO.	PART NUMBER	PER Chair	DESCRIPTION	ORDER QTY	
1	1145905	1	Adjustable Angle Footrest Assembly (Sport) Footrest Width: <input type="text"/>	<input type="text"/>	EA
2	1142938	1	Oval Footplate only (7-1/2" wide)	<input type="text"/>	EA
3	1139739	1	Footrest Clamp Only	<input type="text"/>	EA
4	1145907	1	Tubular Footrest, Alum w/ Carbon Fiber Cover Footrest Width: <input type="text"/>	<input type="text"/>	EA
5	1145906	1	Tubular Footrest, Alum w/ Plastic Cover Footrest Width: <input type="text"/>	<input type="text"/>	EA
6	1065301	1	Heel Loop (includes (1) Loop, (2) spacers, (2) screws, (2) nuts)	<input type="text"/>	EA
7	1116577	1	Adaptive Footplate Spacer Kit (spacers & screws), Risers: <input type="checkbox"/> 2" <input type="checkbox"/> 4" <input type="checkbox"/> 6"	<input type="text"/>	EA
8	1153249	1	Strap, D-Ring Footrest (30")	<input type="text"/>	EA
9	1156728	1	Platform Footrest, Assy., (includes plate, hardware, mounting tubes & clamps)	<input type="text"/>	EA
10	1180592	2	Footrest Clamp, Vertical Recessed (with 2 M6 screws) 4.5 to 8.5" in 1" Increments	<input type="text"/>	EA
11	1153152	1	Platform Plate only (10 1/2' x 10 1/2")	<input type="text"/>	EA
12	1166591	2	Horizontal Post Clamp, Footrest (with M6 screws) Seat Width: <input type="text"/>	<input type="text"/>	EA
13	1152963	1	Clickstrap (Platform) includes (1) padded ratchet strap, (2) bolts, (2) nuts	<input type="text"/>	EA
	TES1	<input type="text"/>	<input type="text"/>	<input type="text"/>	EA



Sports and Recreation Products
4501 63rd Circle North
Pinellas Park, FL 33781
(800) 532-8677 (727) 522-8677
Fax: (727)522-1007





Invacare Top End Sports and Recreation Products

Parts Order Diagram:

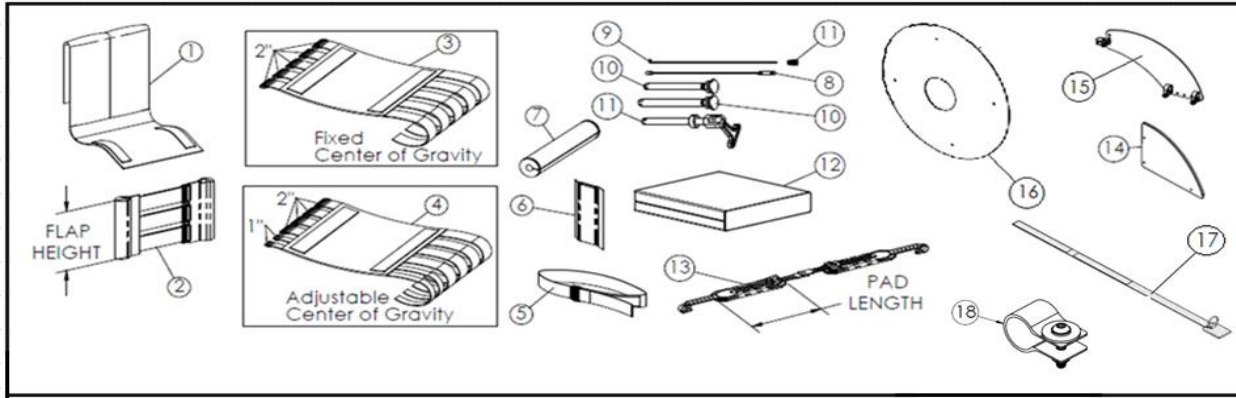
(800) 532-8677 (727) 522-8677 Fax: (727) 522-1007

7000 Series BB/PS7 T-5 Tennis: Wheel Assembly

Date:	PO#:	SO#:
Bill To:	Ship To:	
Quote #:	Phone:	Serial #:

	ITEM NO.	PART NUMBER	PER CHAIR	DESCRIPTION	QTY	
WHEELS	1	1054054	2	24" (540) Sun Performance Rear Wheel: Radial		EA
	2	1060202	2	24" (540) Spinerger SPOX Wide Hub <input type="checkbox"/> Yellow <input type="checkbox"/> <input type="checkbox"/> White <input type="checkbox"/> Red <input type="checkbox"/> Blue		EA
		1156703	2	24" (540) Spinerger SLX (4mm spoke) <input type="checkbox"/> Yellow <input type="checkbox"/> Black <input type="checkbox"/> White <input type="checkbox"/> Red <input type="checkbox"/> Blue		EA
		1166468	2	24" (540) Sun Equalizer Sport Wheel, (36 spoke, cross-laced, Includes 6 tabs HR)		EA
		1054055	2	25" (559) Sun Performance Rear Wheel: Radial		EA
		1060892	2	25" (559) Spinerger SPOX Wide Hub <input type="checkbox"/> Yellow <input type="checkbox"/> <input type="checkbox"/> White <input type="checkbox"/> Red <input type="checkbox"/> Blue		EA
		1156704	2	25" (559) Spinerger SLX (4mm spoke) <input type="checkbox"/> Yellow <input type="checkbox"/> Black <input type="checkbox"/> White <input type="checkbox"/> Red <input type="checkbox"/> Blue		EA
		1166465	2	25" (559) Sun Equalizer Wheel, (38 spoke, cross-laced, Includes 12 tabs HR)		EA
		1054056	2	26" (590) Sun Performance Rear Wheel: Radial		EA
		1059424	2	26" (590) Spinerger SPOX Wide Hub <input type="checkbox"/> Yellow <input type="checkbox"/> <input type="checkbox"/> White <input type="checkbox"/> Red <input type="checkbox"/> Blue		EA
		1156705	2	26" (590) Spinerger SLX (4mm spoke) <input type="checkbox"/> Yellow <input type="checkbox"/> Black <input type="checkbox"/> White <input type="checkbox"/> Red <input type="checkbox"/> Blue		EA
		1166466	2	26" (590) Sun Equalizer Wheel, (48 spoke, cross-laced, Includes 12 tabs HR)		EA
		1139780	2	27" (700c) Sun Performance Rear Wheel: <input type="checkbox"/> Radial <input type="checkbox"/> Crossed		EA
		1116517	2	27" (700c) Spinerger SPOX Wide Hub <input type="checkbox"/> Yellow <input type="checkbox"/> <input type="checkbox"/> White <input type="checkbox"/> Red <input type="checkbox"/> Blue		EA
		1166467	2	27" (700c) Sun Equalizer Wheel, (48 spoke, cross-laced, Includes 12 tabs HR)		EA
	1156716	2	27" (700c) Spinerger SLX (4mm spoke) <input type="checkbox"/> Yellow <input type="checkbox"/> Black <input type="checkbox"/> White <input type="checkbox"/> Red <input type="checkbox"/> Blue		EA	
HANDRIMS	3	1054083	2	24" Anodized Handrim 6-Tab		EA
		1060873	2	24" Titanium Handrim 6-Tab		EA
		1054085	2	25" Anodized Handrim 6-Tab		EA
		1060874	2	25" Titanium Handrim 6-Tab		EA
		1054087	2	26" Anodized Handrim 6-Tab		EA
		1060875	2	26" Titanium Handrim 6-Tab		EA
		1054089	2	700 Anodized Handrim 6-Tab		EA
	4	1152955	2	25" Anodized Handrim 12-tab Spinerger only		EA
		1152956	2	26" Anodized Handrim 12-tab Spinerger only		EA
		1152957	2	27" (700c) Anodized Handrim 12-Tab Spinerger only		EA
5	1145898	2	Handrim Hardware Kit (6) 10-32 x 1/2" Screws, (6) 10-32 Locknuts		EA	
TIRES AND TUBES		1054064	2	24" (540) Primo V Track High Pressure Clincher Tire		EA
		1127915	2	24" (540) Kenda Sport Tire, Clincher, Red		EA
		1127918	2	24" (540) Kenda Sport Tire, Clincher, Yellow		EA
		1060154	2	24" (540) Tube (Presta Valve)		EA
		1054067	2	25" (559) Primo V Track High Pressure Clincher Tire		EA
		1127916	2	25" (559) Kenda Sport Tire, Clincher, Red		EA
		1127919	2	25" (559) Kenda Sport Tire, Clincher, Yellow		EA
		1060155	2	25" (559) Tube (Presta Valve)		EA
		1054066	2	26" (590) Primo V Track High Pressure Clincher Tire		EA
		1127917	2	26" (590) Kenda Sport Tire, Clincher, Red		EA
		1127920	2	26" (590) Kenda Sport Tire, Clincher, Yellow		EA
		1054074	2	26" (590) Tube (Presta Valve)		EA
		1060115	2	27" (700c) Primo High Pressure Clincher Tire		EA
		1156707	2	27" (700c) Kenda Sport Tire, Clincher, Red		EA
		1156708	2	27" (700c) Kenda Sport Tire, Clincher, Yellow		EA
	1054075	2	27" (700c) Tube (Presta Valve)		EA	
	1061213	2	Rim Strip <input type="checkbox"/> 24" <input type="checkbox"/> 25" <input type="checkbox"/> 26" <input type="checkbox"/> 700c		EA	
OTHER		TER40	2	Cut Tabs Aluminum pushrim		EA
		TERTI40	2	Cut Tabs Titanium pushrim		EA
			1	Assemble Wheel?: <input type="checkbox"/> Yes <input type="checkbox"/> No		EA
			1	Handrim Assembly: <input type="checkbox"/> STD Mount <input type="checkbox"/> Close Mount		EA
	7	TES1				EA

	Invacare Top End Sports and Recreation Products	Parts Order Diagram:
	(800) 532-8677 (727) 522-8677 fax: (727) 522-1007	7000 Series BB/T-5: Accessories
Date: _____	PO#: _____	SO#: _____
Bill To: _____	Ship To: _____	
Quote #: _____	Phone: _____	Serial #: _____



ITEM NO.	PART NUMBER	PER Chair	DESCRIPTION				ORDER QTY	
1	1127960	1	Back Center	Back Height:	Seat Width:		EA	
2	1153132	1	Back Anchor and Adjuster Asm	Back Height:	Seat Width:		EA	
	1181185	1	Leather Upgrade, w/Alum Dome Plug Back Style: <input type="checkbox"/> Fixed <input type="checkbox"/> Adjustable	Back Height:	Seat Width:		EA	
3	1127963	1	Seat Uph. Fixed Center of Gravity	Seat Width:	Seat Depth:		EA	
4	1153134	1	Seat Uph. Adj. Center of Gravity	Seat Width:	Seat Depth:		EA	
5	1109772	1	Positioning Strap, Velcro style, Seat Width:	<input type="checkbox"/> 12"-14" <input type="checkbox"/> 15"-18" <input type="checkbox"/> 19" +			EA	
6	1145900	1	Front Frame Vertical Protectors (pair)				PR	
7	1146046	1	Sport Rear Frame Protector				EA	
8	1060803	na	Spinergy Spox Spoke (3mm) w/ Nipple	Wheel Size: <input type="checkbox"/> 24" <input type="checkbox"/> 25" <input type="checkbox"/> 26" <input type="checkbox"/> 700C	Wheel Color: <input type="checkbox"/> Yellow <input type="checkbox"/> Black <input type="checkbox"/> White <input type="checkbox"/> Red <input type="checkbox"/> Blue	Hub Size: <input type="checkbox"/> Wide <input type="checkbox"/> Narrow	EA	
	1156712	na	Spinergy LX/SLX Spoke (4mm) w/ Nipple	Wheel Size: <input type="checkbox"/> 24" <input type="checkbox"/> 25" <input type="checkbox"/> 26" <input type="checkbox"/> 700C	Wheel Color: <input type="checkbox"/> Yellow <input type="checkbox"/> Black <input type="checkbox"/> White <input type="checkbox"/> Red <input type="checkbox"/> Blue	Hub Size: <input type="checkbox"/> Wide <input type="checkbox"/> Narrow	EA	
9	1059514	na	Metal Spoke w/Nipple	Wheel Size: <input type="checkbox"/> 24" <input type="checkbox"/> 25" <input type="checkbox"/> 26" <input type="checkbox"/> 700C	<input type="checkbox"/> Radial <input type="checkbox"/> Crossed		EA	
10	1065303	2	Axle, Quick Release, Standard Length				EA	
	1060140	2	Axle, Quick Release, Sport Length				EA	
	1060842	2	Axle, Quick Release, Titanium for Standard Length				EA	
	1060843	2	Axle, Quick Release, Titanium for Sport Length				EA	
11	1043487	2	Axle, Quad Release, Standard Length				EA	
12	1054272	1	Soft Cushion	<input type="checkbox"/> 2 in. <input type="checkbox"/> 3 in. <input type="checkbox"/> 4 in.	Seat Width: _____	Seat Depth: _____	EA	
	1060130	1	Hard Cushion	<input type="checkbox"/> 2 in. <input type="checkbox"/> 3 in. <input type="checkbox"/> 4 in.	Seat Width: _____	Seat Depth: _____	EA	
13	1152963	1	Click Strap Set, 8" Pad Length (Small)				EA	
	1152964	1	Click Strap Set, 10" Pad Length (Medium)				EA	
	1152965	1	Click Strap Set, 12" Pad Length (Large)				EA	
14	1059414	1	Fixed Side Guards, Aluminum (RH & LH, Outline Required)				PR	
	1139771	1	Fixed Side Guards, Carbon Fiber (RH & LH, Outline Required)				PR	
15	1153020	2	Clamp-On Side Guard, includes: (1) panel, (3) clamps w/ hardware	<input type="checkbox"/> Left <input type="checkbox"/> Right			EA	
16	1054079	2	24" Spoke Guard, Specify Clear or Black	<input type="checkbox"/> Clear <input type="checkbox"/> Black			EA	
	1060699	2	25" Spoke Guard, Specify Clear or Black	<input type="checkbox"/> Clear <input type="checkbox"/> Black			EA	
	1054081	2	26" Spoke Guard, Specify Clear or Black	<input type="checkbox"/> Clear <input type="checkbox"/> Black			EA	
17	1166701	1	Metal O-Ring Belt				EA	
18	1166622	2	Webbing Mount (Nylon) for Click Strap				EA	
	RACE4	NA	Top End Wheel Bag				EA	
	TER148	NA	Basketball carry bag, chair mounted				EA	