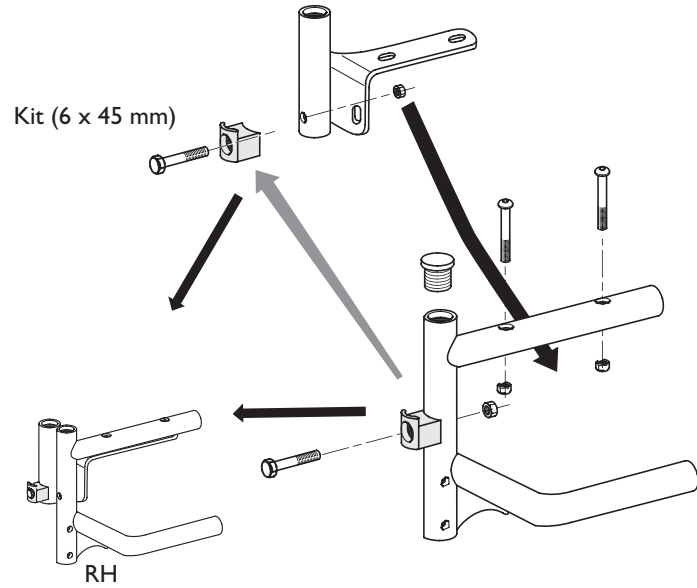
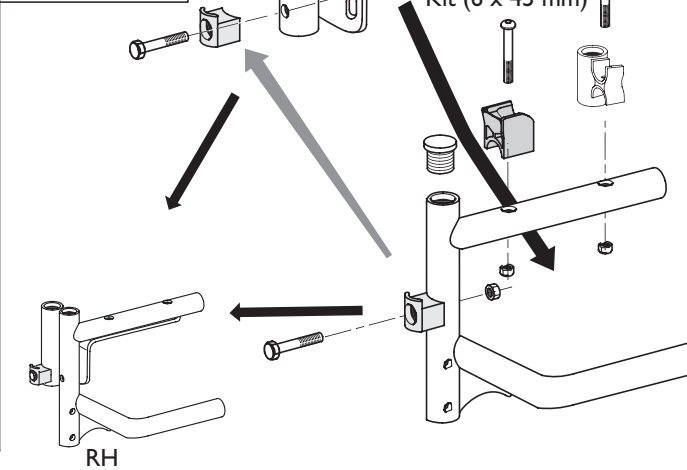
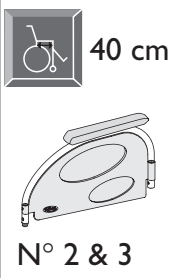
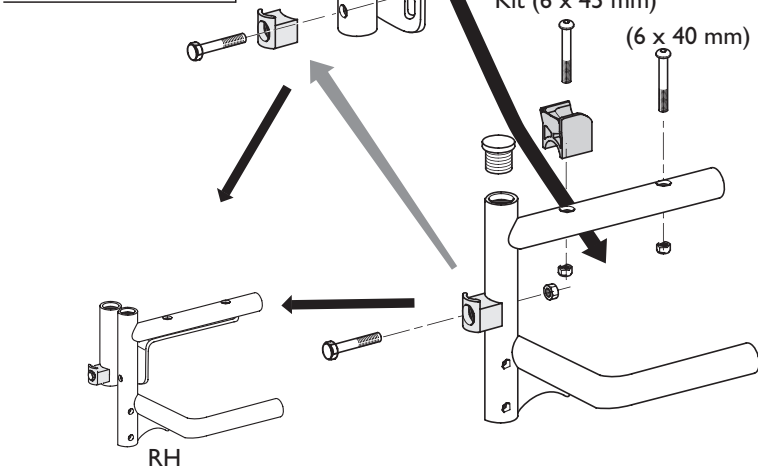
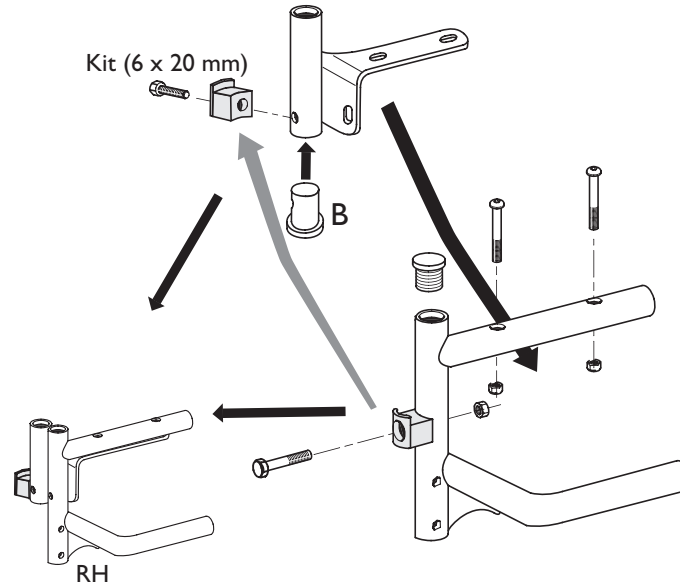


Standard (0°)



35°



D



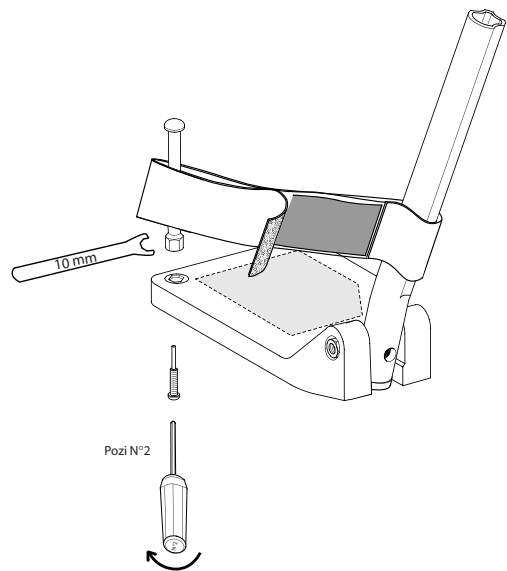
Yes, you can.



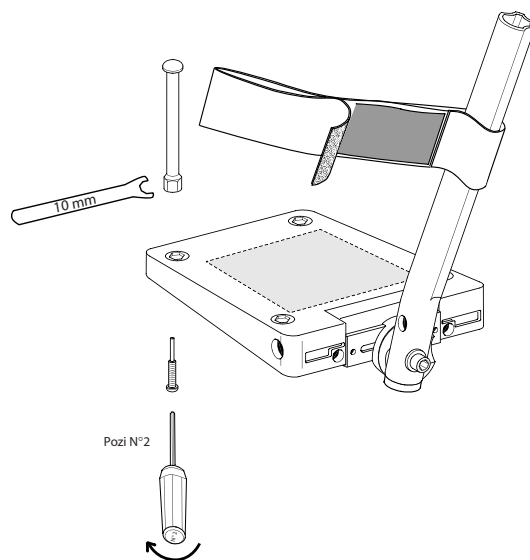
REF : I445652 06/2005



Yes, you can.



G



REF : I445652 06/2005