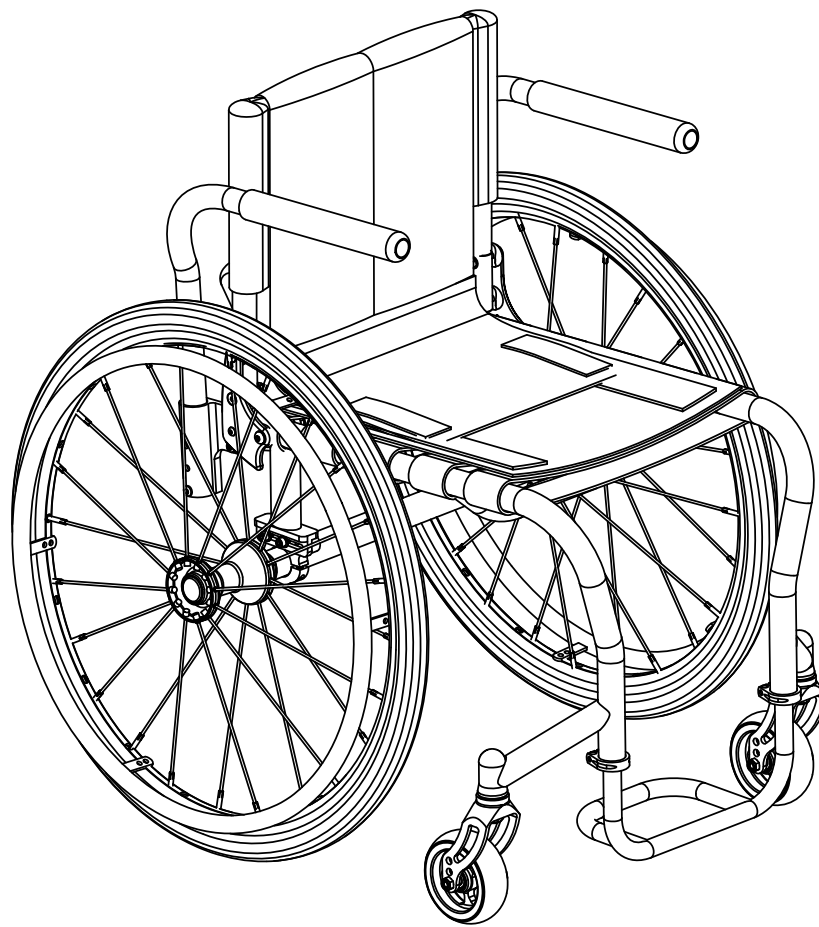




Sports and Recreation Products
4501 63rd Circle North
Pinellas Park, FL 33781
(800) 532-8677 (727) 522-8677
Fax: (727)522-1007

Invacare Top End Parts Catalog Crossfire T6 Crossfire Titanium



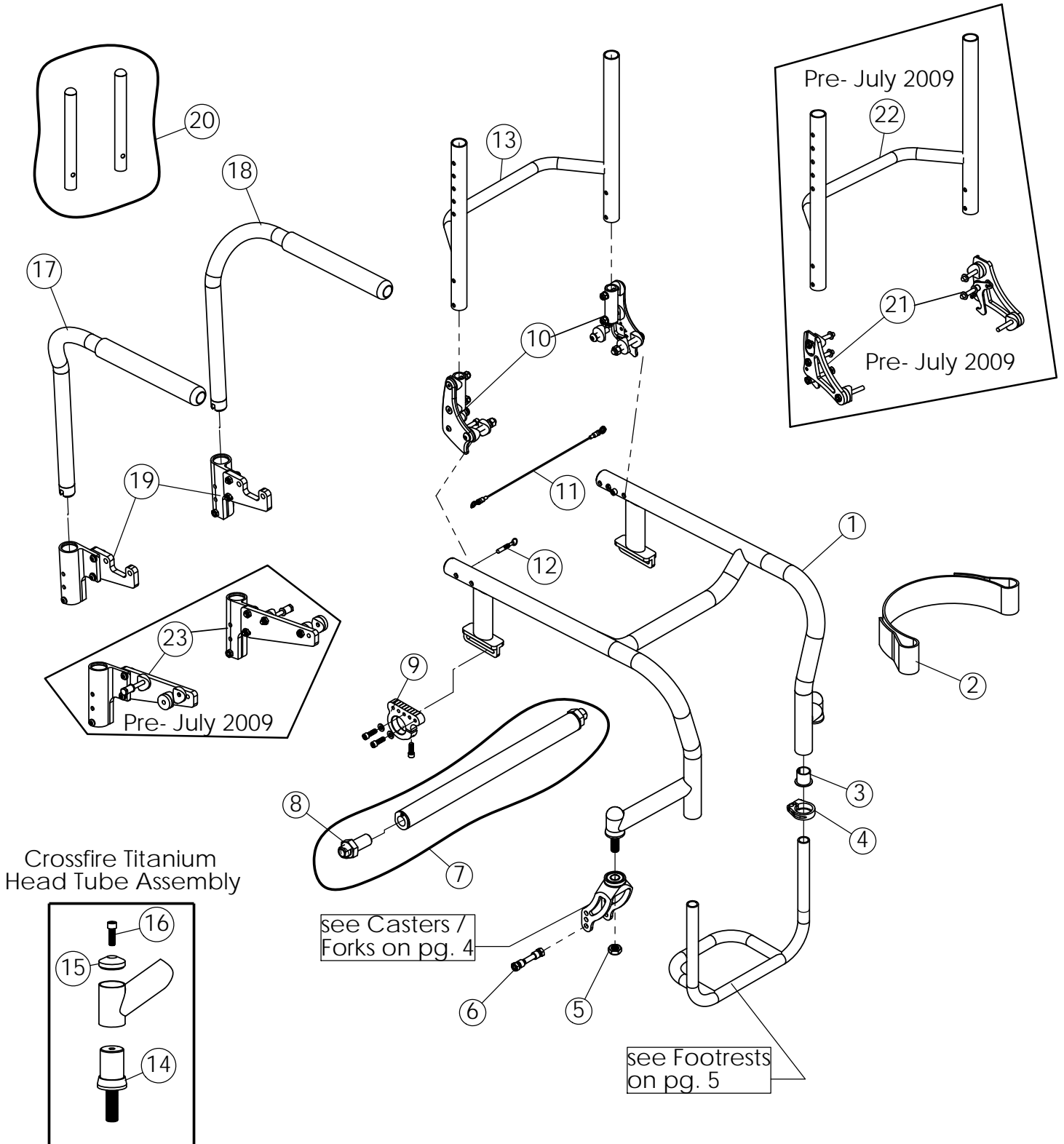


Sports and Recreation Products
 4501 63rd Circle North
 Pinellas Park, FL 33781
 (800) 532-8677 (727) 522-8677
 Fax: (727)522-1007

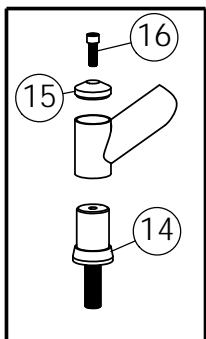
Parts Order Diagram

Crossfire

Frames / Standard Parts



Crossfire Titanium Head Tube Assembly



see Casters /
Forks on pg. 4

see Footrests
on pg. 5



Sports and Recreation Products
 4501 63rd Circle North
 Pinellas Park, FL 33781
 (800) 532-8677 (727) 522-8677
 Fax: (727)522-1007

Parts Order Diagram Crossfire Frames / Standard Parts

Date: _____ P.O./Customer#: _____ Ship to Customer Provider Part Tracking#: _____ (TOP END Use Only)

Provider _____	Acct# _____
Address _____	Suite _____
City _____	State _____ Zip _____
Work Phone (_____) _____	Fax _____
Cell Phone (_____) _____	
E-mail _____	

Customer _____
Address _____ Apt. _____
City _____ State _____ Zip _____
Home Phone (_____) _____
Cell Phone (_____) _____
E-mail _____

ITEM NO.	PART NUMBER	PER CHAIR	DESCRIPTION	ORDER QTY	
1	1127964	1	Frame Only: T6 for Folding Back, Send new complete chair order form. Backrest not included.	Orig. Serial #	EA
	1127965	1	Frame Only: T6 for Fixed Back, Send new complete chair order form.	Orig. Serial #	EA
	1127966	1	Frame Only: Titanium for Folding Back, Send new complete chair order form. Backrest not included.	Orig. Serial #	EA
	1127967	1	Frame Only: Titanium for Fixed Back, Send new complete chair order form.	Orig. Serial #	EA
2	1054268	1	Leg / Calf Strap, for Footrest Widths: <input type="checkbox"/> 8-10" (36") <input type="checkbox"/> 10.5-13" (41") <input type="checkbox"/> 13.5+ (46")		EA
3	1140378	2	Footrest Receiver to T6 (each)		EA
	1140379	2	Footrest Receiver to Titanium (each)		EA
4	1139750	2	Footrest Clamp Assembly (each)		EA
5	1025737	2	Locknut 1/2"-20 (each)		EA
6	1139775	2	Front Caster Mounting Hardware Kit (each)		EA
7	1127959	1	Camber Tube Asm: Seat Width: _____ Camber: _____ Wheel Size: _____		EA
8	1061173	2	Axle Receiver, Nut, and Lock Washer Assembly (each)		EA
9	1145893	2	Camber Tube Clamp Assembly (each)		EA
10	1153111	1	Lock-Down Folding Back Latches (includes both RH & LH) <input type="checkbox"/> Black <input type="checkbox"/> Silver <input type="checkbox"/> Blue <input type="checkbox"/> Red		PR
11	1153135	1	Lanyard, Lock-Down Back, Seat Width: _____		EA
12	1153136	2	Spring Pin Assembly, Lock-Down Back, includes: (1)Pin, (1)Spring, and (1)Ring		EA
13	1153112	1	Frame Only, Lock-Down Back, Seat Width: _____ Back Height: _____		EA
14	1145894	2	Bushing Assembly, Head Tube (each)		EA
15	1061203	2	Cap, Head Tube (each)		EA
16	1073283	2	Screw, 1/4-28 x 3/4" Long SHCS (each)		EA
17	1145917	1	Swingaway Arm, Right (each)		EA
18	1145918	1	Swingaway Arm, Left (each)		EA
19	1153143	1	Swingaway Arm Mounting Hardware (includes both RH & LH)		PR
20	1026971	1	Adj. Height Extensions (Pair), Folding Back with 8-11" Back Height		PR
	1026972	1	Adj. Height Extensions (Pair), Folding Back with 10-14", 12-16", 14-18", 16-20" B.H.		PR
	1153013	1	Adj. Height Extensions (Pair), Fixed Back, Titanium and Chromoly Frames		PR
	1026972	1	Adj. Height Extensions (Pair), Fixed Back, Aluminum Frames		PR
21	1127969	1	Pre-July 09: Folding Back Latch Kit (includes both RH & LH)		PR
22	1145919	1	Pre-July 09: Folding Back, Frame Only, Seat Width: _____ Back Height: _____		EA
23	1145882	1	Pre-July 09: Swingaway Arm Mounting Hardware (includes both RH & LH)		PR



Sports and Recreation Products
 4501 63rd Circle North
 Pinellas Park, FL 33781
 (800) 532-8677 (727) 522-8677
 Fax: (727)522-1007

Parts Order Diagram

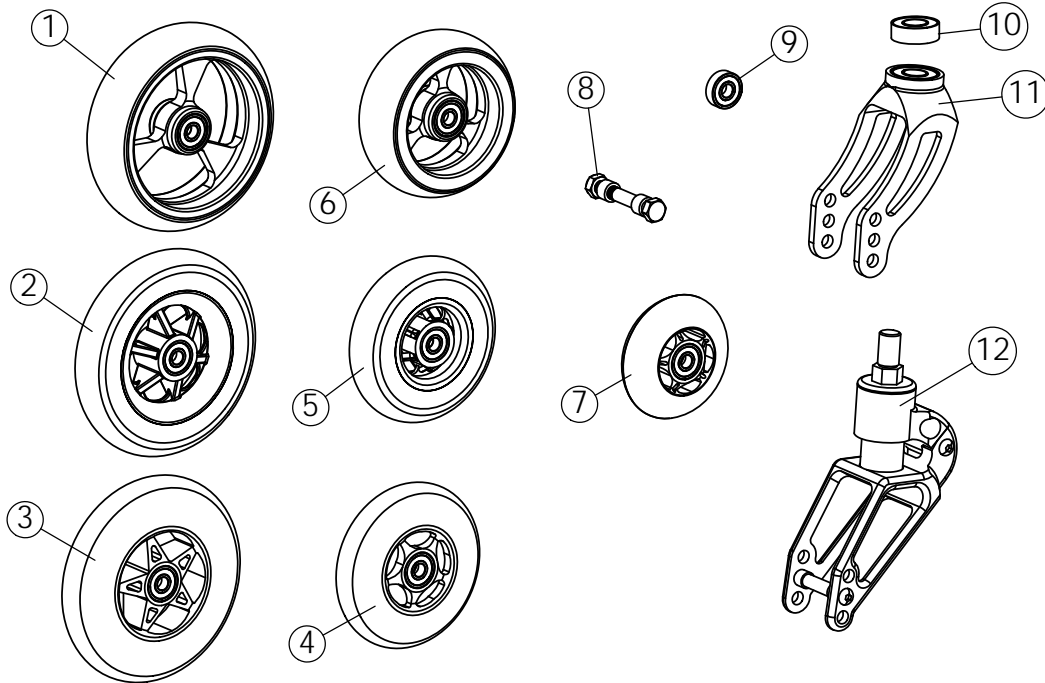
Crossfire

Fork / Casters

Date: _____ P.O./Customer#: _____ Ship to Customer Provider Part Tracking#: _____
(TOP END Use Only)

Provider _____	Acct# _____
Address _____	Suite _____
City _____	State _____ Zip _____
Work Phone (_____) _____	Fax _____
Cell Phone (_____) _____	
E-mail _____	

Customer _____
Address _____ Apt. _____
City _____ State _____ Zip _____
Home Phone (_____) _____
Cell Phone (_____) _____
E-mail _____



ITEM NO.	PART NUMBER	PER CHAIR	DESCRIPTION	ORDER QTY
1	1116515	2	5" x 1-1/2" Soft Roll w/ Aluminum Hub (Bearings included)	EA
2	1114143	2	5" Semi-Pneumatic w/ Composite Hub (Bearings included)	EA
3	1127882	2	5" Lighted Caster w/ Composite Hub (Bearings included)	EA
4	1060910	2	4" Lighted Caster w/ Composite Hub (Bearings included)	EA
5	1114142	2	4" Semi-Pneumatic w/ Composite Hub (Bearings included)	EA
6	1116514	2	4" x 1-1/2" Soft Roll w/ Aluminum Hub (Bearings included)	EA
7	1065288	2	3" (80mm) Caster w/ Composite Hub (Bearings included)	EA
	1157282	2	3" Soft Roll Aluminum Caster	EA
8	1139775	2	Front Caster Mounting Hardware Kit after Nov 1, 2006	EA
9	1054029	4	Caster Bearing (5/16" I.D. x 7/8" O.D.) (each)	EA
10	1127954	4	Bearing, 1/2" (1-1/8"x1/2"x3/8") (inside fork) (each)	EA
11	1143329	2	Insert Fork Assembly (includes fork and two bearings) (each)	EA
	1153074	1	One Sided Fork, Frog Legs™ (pair)	PR
12	1139744	1	Front suspension set (std: 125-250 lbs.), Frog Legs™ (pair)	PR
	1139743	1	Front suspension set (light: under 125 lbs.), Frog Legs™ (pair)	PR
	1139742	2	Replacement Elastomer (each) <input type="checkbox"/> Firm <input type="checkbox"/> Soft	EA



Sports and Recreation Products
 4501 63rd Circle North
 Pinellas Park, FL 33781
 (800) 532-8677 (727) 522-8677
 Fax: (727)522-1007

Parts Order Diagram

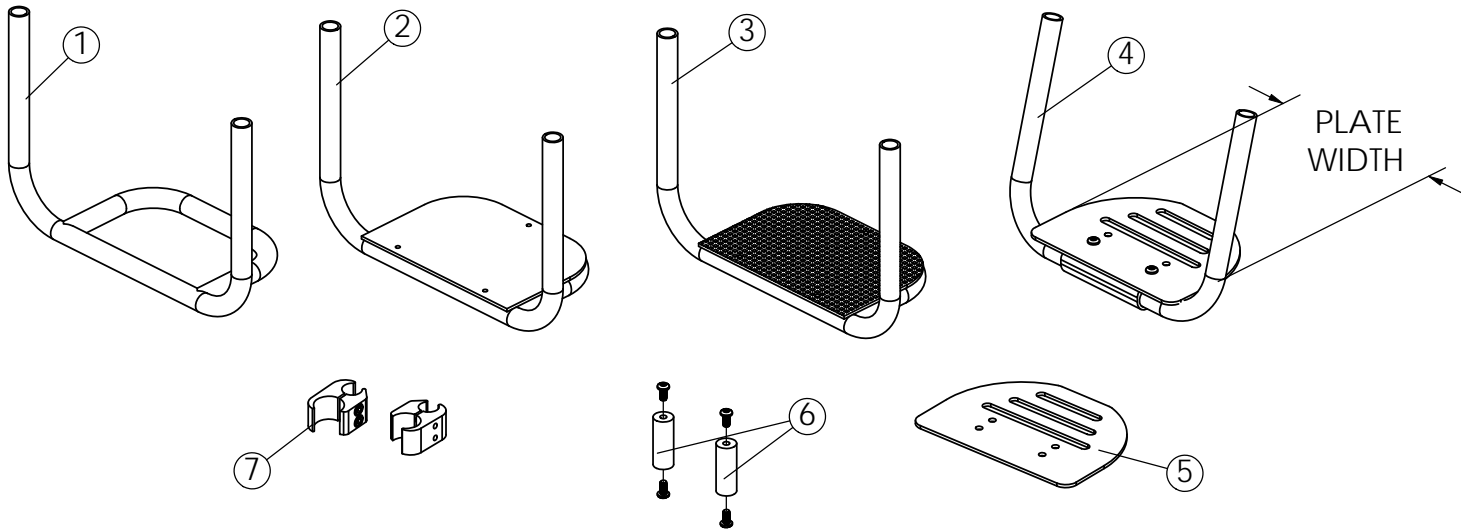
Crossfire

Footrests

Date: _____ P.O./Customer#: _____ Ship to Customer Provider Part Tracking#: _____
(TOP END Use Only)

Provider _____	Acct# _____
Address _____	Suite _____
City _____	State _____ Zip _____
Work Phone (_____) _____	Fax _____
Cell Phone (_____) _____	
E-mail _____	

Customer _____
Address _____ Apt. _____
City _____ State _____ Zip _____
Home Phone (_____) _____
Cell Phone (_____) _____
E-mail _____



ITEM NO.	PART NUMBER	DESCRIPTION	Footrest Width	Front End Style	ORDER QTY
1	1143278	1 Piece Tubular Footrest, Aluminum	FW: _____	<input type="checkbox"/> Tapered <input type="checkbox"/> 'V' (Seat Width _____)	EA
	1109777	1 Piece Tubular Footrest, Titanium	FW: _____	<input type="checkbox"/> Tapered <input type="checkbox"/> 'V' (Seat Width _____)	EA
2	1145906	1 Piece Tubular Footrest, Aluminum w/ Plastic Cover	FW: _____	<input type="checkbox"/> Tapered <input type="checkbox"/> 'V' (Seat Width _____)	EA
	1109776	1 Piece Tubular Footrest, Titanium w/ Plastic Cover	FW: _____	<input type="checkbox"/> Tapered <input type="checkbox"/> 'V' (Seat Width _____)	EA
3	1145907	1 Piece Tubular Footrest, Aluminum w/ Carbon Fiber Cover	FW: _____	<input type="checkbox"/> Tapered <input type="checkbox"/> 'V' (Seat Width _____)	EA
	1145912	1 Piece Tubular Footrest, Titanium w/ Carbon Fiber Cover	FW: _____	<input type="checkbox"/> Tapered <input type="checkbox"/> 'V' (Seat Width _____)	EA

ITEM NO.	PART NUMBER	DESCRIPTION	Footrest Width	Plate Width	Front End Style	ORDER QTY
4	1059482	Adjustable Angle Footrest Assembly	FW: _____	<input type="checkbox"/> 6.5" <input type="checkbox"/> 7.5" <input type="checkbox"/> 8.5" <input type="checkbox"/> 9.5" <input type="checkbox"/> 10.5"	<input type="checkbox"/> Tapered <input type="checkbox"/> 'V' (Seat Width _____)	EA
5	1153109	Aluminium Footplate	XXXXXX	<input type="checkbox"/> 6.5" <input type="checkbox"/> 7.5" <input type="checkbox"/> 8.5" <input type="checkbox"/> 9.5" <input type="checkbox"/> 10.5"	XXXXXXXXXX	EA
6	1116577	Adaptive Footplate Spacer Kit (includes 2 spacers and 4 screws)			<input type="checkbox"/> 2" <input type="checkbox"/> 4"	PR
7	1139738	Clamp, 1-1/8 to 3/4 (Raised Footrest)				EA



Sports and Recreation Products
 4501 63rd Circle North
 Pinellas Park, FL 33781
 (800) 532-8677 (727) 522-8677
 Fax: (727)522-1007

Parts Order Diagram

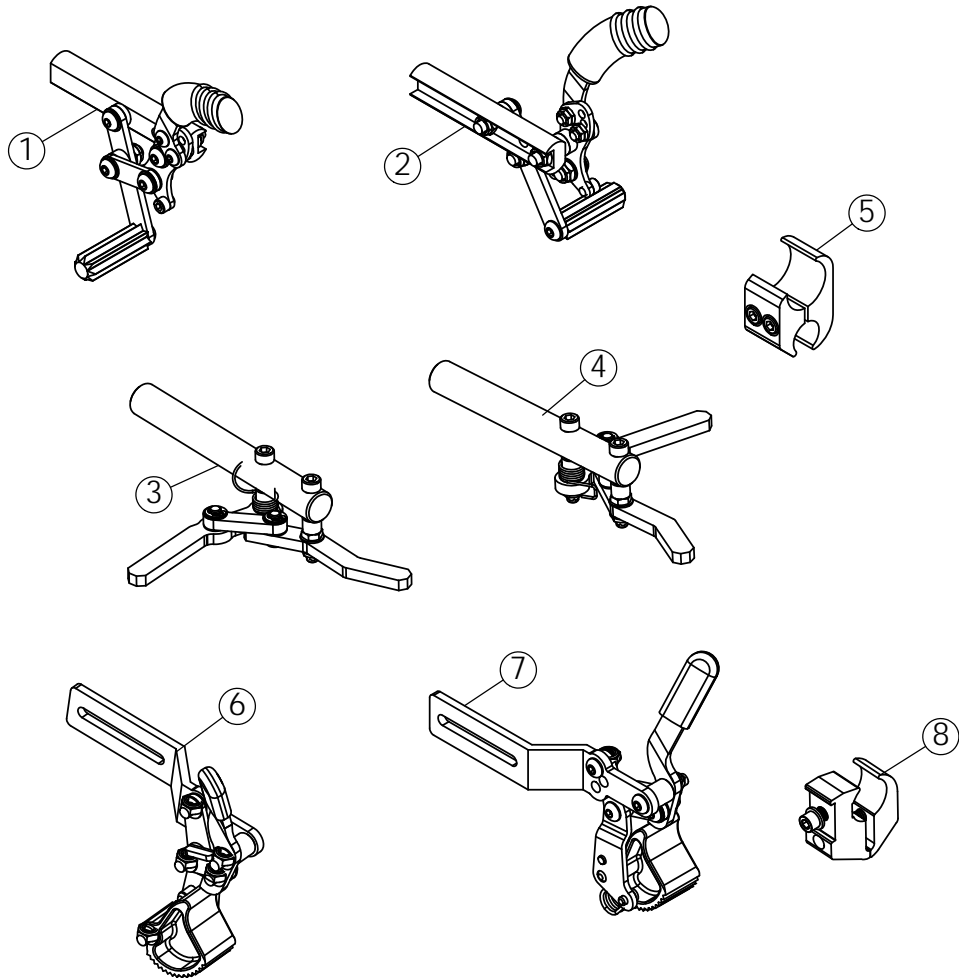
Crossfire

Wheel Locks

Date: _____ P.O./Customer#: _____ Ship to Customer Provider Part Tracking#: _____
(TOP END Use Only)

Provider _____	Acct# _____
Address _____	Suite _____
City _____	State _____ Zip _____
Work Phone (_____) _____	Fax _____
Cell Phone (_____) _____	
E-mail _____	

Customer _____
Address _____ Apt. _____
City _____ State _____ Zip _____
Home Phone (_____) _____
Cell Phone (_____) _____
E-mail _____



ITEM NO.	PART NUMBER	PER CHAIR	DESCRIPTION	ORDER QTY	
1	1125459	1	Wheel Lock, Right <input type="checkbox"/> Push-to-Lock <input type="checkbox"/> Pull-to-Lock		EA
2	1125460	1	Wheel Lock, Left <input type="checkbox"/> Push-to-Lock <input type="checkbox"/> Pull-to-Lock		EA
3	1093377	1	Hideaway Undermount Wheel Lock, Right		EA
4	1093376	1	Hideaway Undermount Wheel Lock, Left		EA
5	1139738	2	Clamp, 1-1/8" to 3/4" for Wheel Lock		EA
6	1026712	1	Hill Holder Wheel Lock, Right		EA
7	1026713	1	Hill Holder Wheel Lock, Left		EA
8	1145895	2	Clamp for Hill Holder Wheel Lock		EA

crossfire wheel locks pg.6



Sports and Recreation Products
 4501 63rd Circle North
 Pinellas Park, FL 33781
 (800) 532-8677 (727) 522-8677
 Fax: (727)522-1007

Parts Order Diagram

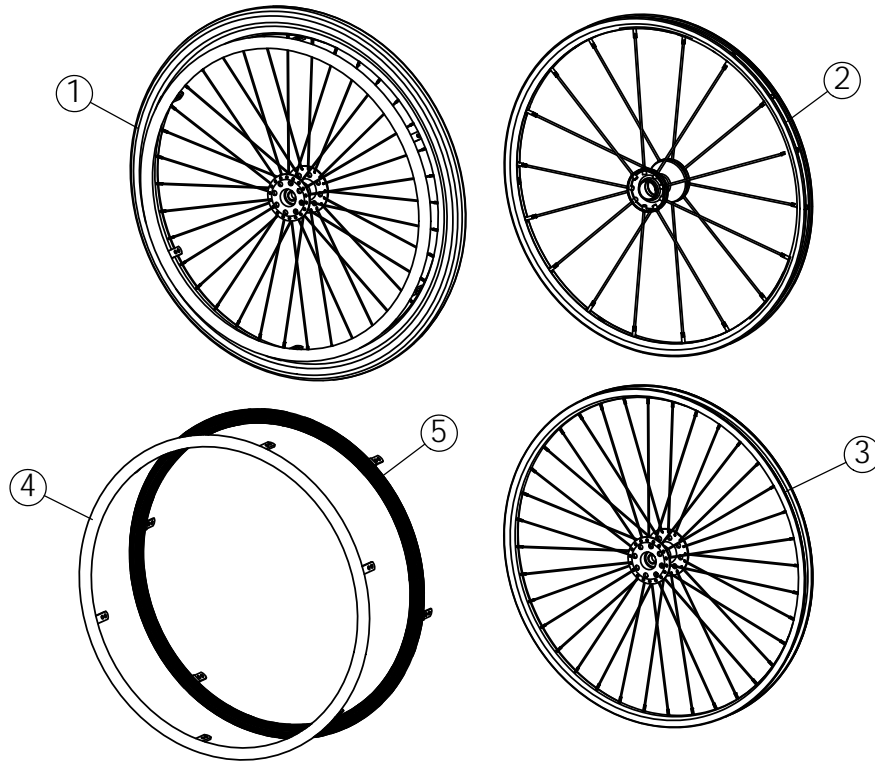
Crossfire

22" Rear Wheels

Date: _____ P.O./Customer#: _____ Ship to Customer Provider Part Tracking#: _____
(TOP END Use Only)

Provider _____	Acct# _____
Address _____	Suite _____
City _____	State _____ Zip _____
Work Phone (_____) _____	Fax _____
Cell Phone (_____) _____	
E-mail _____	

Customer _____
Address _____ Apt. _____
City _____ State _____ Zip _____
Home Phone (_____) _____
Cell Phone (_____) _____
E-mail _____



ITEM NO.	PART NUMBER	PER CHAIR	DESCRIPTION	ORDER QTY
COMPLETE WHEELS				
1	1115588	2	Complete Wheel, Anodized Handrim, Grey Treaded 1-3/8" Tire	EA
	1115590	2	Complete Wheel w/ Flat Free Insert, Anodized Handrim, Grey Treaded 1-3/8" Tire	EA
WHEELS				
2	1139753	2	22" (501) Spinergy Everyday Narrow Hub <input type="checkbox"/> Yellow <input type="checkbox"/> Black	EA
3	1054053	2	22" (501) Performance Rear Wheel: Radial Spokes	EA
HANDRIMS				
4	1054082	2	22" Anodized Handrim, for metal spoked wheel	EA
	1139773	2	22" Anodized Handrim, for Spinergy	EA
5	1063567	2	22" Vinyl Coated Handrim, Black	EA
TIRES AND TUBES				
	1054070	2	22" (501) Primo V Track High Pressure Clincher Tire	EA
	1061214	2	22" (501) Tube (Presta Valve)	EA
	1060153	2	22" (501) Grey Treaded Clincher Tire (22" x 1-3/8)	EA
	1054072	2	22" (501) Tube (Schrader Valve)	EA

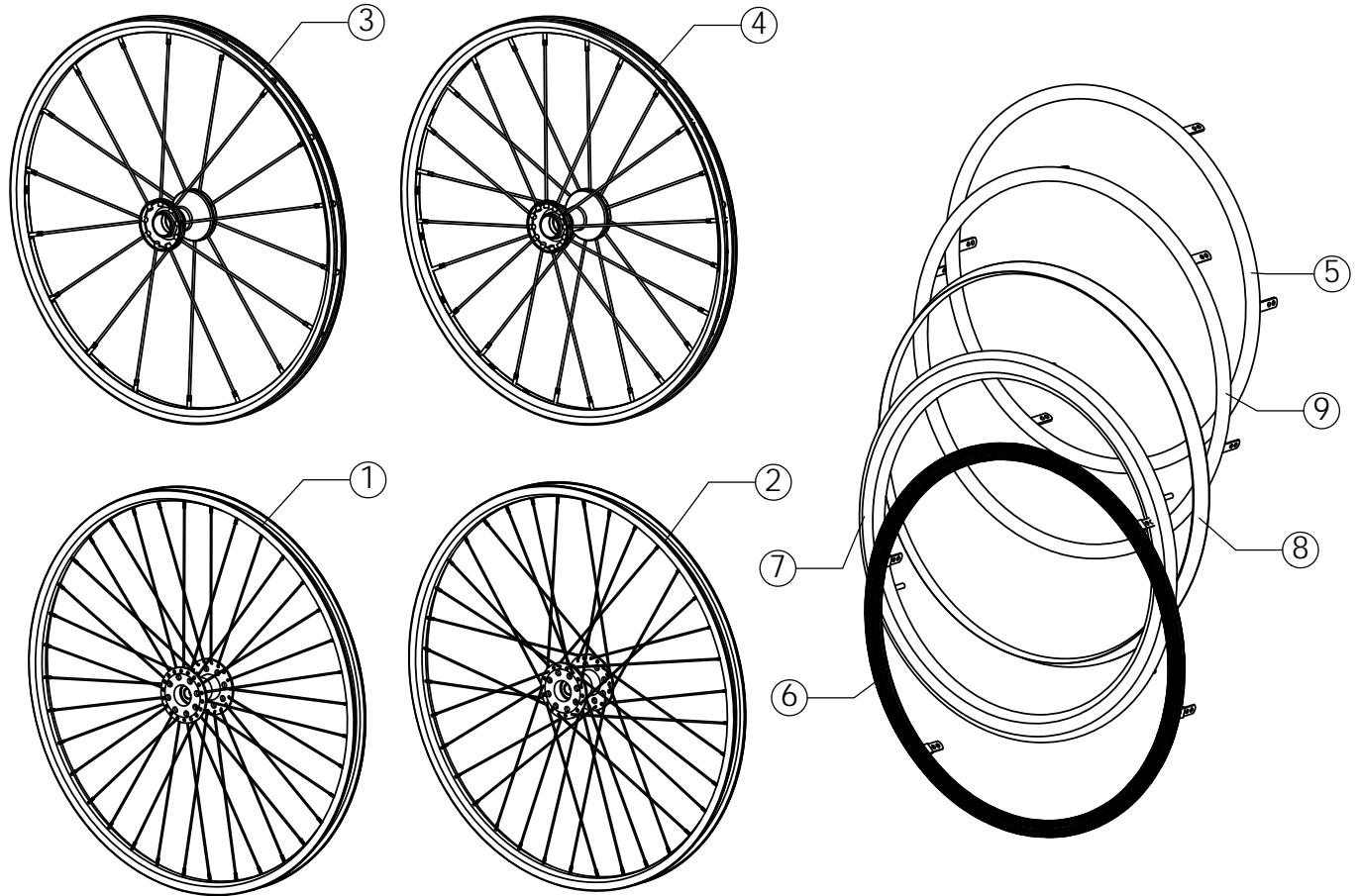


Sports and Recreation Products
 4501 63rd Circle North
 Pinellas Park, FL 33781
 (800) 532-8677 (727) 522-8677
 Fax: (727)522-1007

Parts Order Diagram

Crossfire

24"/25" Rear Wheels



- 10
- 11
- 12
- 13
- 14



Sports and Recreation Products
 4501 63rd Circle North
 Pinellas Park, FL 33781
 (800) 532-8677 (727) 522-8677
 Fax: (727)522-1007

Parts Order Diagram

Crossfire

24"/25" Rear Wheels

Date: _____ P.O./Customer#: _____ Ship to Customer Provider Part Tracking#: _____
(TOP END Use Only)

Provider _____	Acct# _____
Address _____	Suite _____
City _____	State _____ Zip _____
Work Phone (_____) _____	Fax _____
Cell Phone (_____) _____	
E-mail _____	

Customer _____
Address _____ Apt. _____
City _____ State _____ Zip _____
Home Phone (_____) _____
Cell Phone (_____) _____
E-mail _____

	ITEM NO.	PART NUMBER	PER CHAIR	DESCRIPTION	ORDER QTY	
WHEELS	1	1054054	2	24" (540) Performance Rear Wheel: Radial		EA
	2	1060134	2	24" (540) Performance Rear Wheel: Crossed		EA
	3	1060844	2	24" (540) Spinergy Narrow Hub <input type="checkbox"/> Yellow <input type="checkbox"/> Black <input type="checkbox"/> White <input type="checkbox"/> Red <input type="checkbox"/> Blue		EA
		1156700	2	24" (540) Spinergy LX (12 spoke) <input type="checkbox"/>Yellow <input type="checkbox"/>Black <input type="checkbox"/>White <input type="checkbox"/>Red <input type="checkbox"/>Blue		
	4	1060202	2	24" (540) Spinergy Sport Wide Hub <input type="checkbox"/> Yellow <input type="checkbox"/> Black <input type="checkbox"/> White <input type="checkbox"/> Red <input type="checkbox"/> Blue		EA
		1115597	2	Complete Wheel: 24" Spoke Wheel Flat Free		EA
		1026363	2	Complete Wheel: 24" Composite Wheel Flat Free		EA
		1054055	2	25" (559) Performance Rear Wheel: Radial		EA
		1060135	2	25" (559) Performance Rear Wheel: Crossed		EA
		1060822	2	25" (559) Spinergy Narrow Hub <input type="checkbox"/> Yellow <input type="checkbox"/> Black <input type="checkbox"/> White <input type="checkbox"/> Red <input type="checkbox"/> Blue		EA
	1156701	2	25" (559) Spinergy LX (12 spoke) <input type="checkbox"/>Yellow <input type="checkbox"/>Black <input type="checkbox"/>White <input type="checkbox"/>Red <input type="checkbox"/>Blue			
	1060892	2	25" (559) Spinergy Sport Wide Hub <input type="checkbox"/> Yellow <input type="checkbox"/> Black <input type="checkbox"/> White <input type="checkbox"/> Red <input type="checkbox"/> Blue		EA	
HANDRIMS	5	1054083	2	24" Anodized Handrim		EA
	6	1054084	2	24" Vinyl Coated Handrim - Black		EA
	7	1127872	2	24" Natural Fit Standard Grip Handrim		EA
	8	1127873	2	24" Natural Fit Super Grip Handrim		EA
	9	1060873	2	24" Titanium Handrim		EA
		1054085	2	25" Anodized Handrim		EA
		1054086	2	25" Vinyl Coated Handrim - Black		EA
		1127874	2	25" Natural Fit Standard Grip Handrim		EA
		1127875	2	25" Natural Fit Super Grip Handrim		EA
		1060874	2	25" Titanium Handrim		EA
	1145898	2	Handrim Hardware Kit (6) 10-32 x 1/2" Screws, (6) 10-32 Locknuts		EA	
TIRES AND TUBES	10	1127915	2	24" (540) Kenda Sport Tire, Clincher, Red		EA
		1127918	2	24" (540) Kenda Sport Tire, Clincher, Yellow		EA
	11	1054064	2	24" (540) Primo V Track High Pressure Clincher Tire		EA
		1139813	2	24" (540), Schwalbe high pressure clincher		EA
		1060154	2	24" (540) Tube (Presta Valve)		EA
	12	1054063	2	24" (540) Solid Tire 1inch, Black		EA
		1059426	2	24" (540) Solid Tire 1inch, Grey		EA
	13	1054060	2	24" (540) Grey Treaded Clincher Tire (24" x 1-3/8)		EA
		1054073	2	24" (540) Tube (24" x 1-3/8)		EA
	14	1143318	2	24" Knobby Tire (USE FOR 25-540 WHEEL)		EA
		1063519	2	24" (540) Tube (24 x 1-1/2") (USE FOR 25-540 WHEEL)		EA
		1127916	2	25" (559) Kenda Sport Tire, Clincher, Red		EA
		1127919	2	25" (559) Kenda Sport Tire, Clincher, Yellow		EA
		1054067	2	25" (559) Primo V Track High Pressure Clincher Tire		EA
		1139814	2	25 (559) Schwalbe high pressure clincher		EA
		1060155	2	25" (559) Tube (Presta Valve)		EA
		1068737	2	25" (559) Solid Tire 1inch, Black		EA
		1068736	2	25" (559) Solid Tire 1inch, Grey		EA
	1143319	2	(25") Knobby Tire (USE FOR 25-559 WHEEL)		EA	
	1145531	2	(25") (559) Tube (24 x 1-1/2") (USE FOR 25-559 WHEEL)		EA	

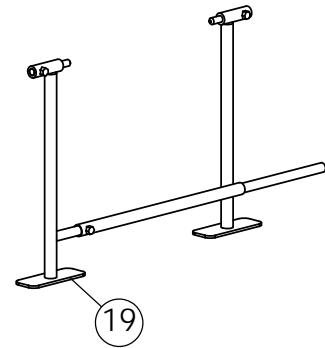
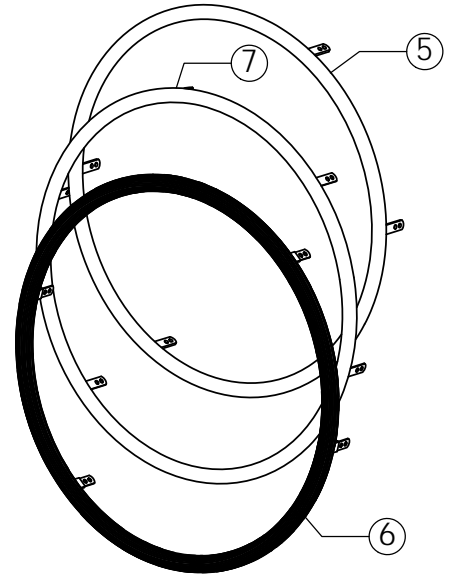
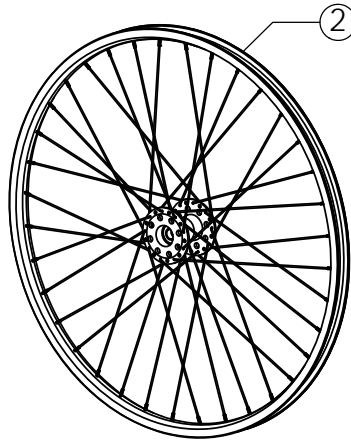
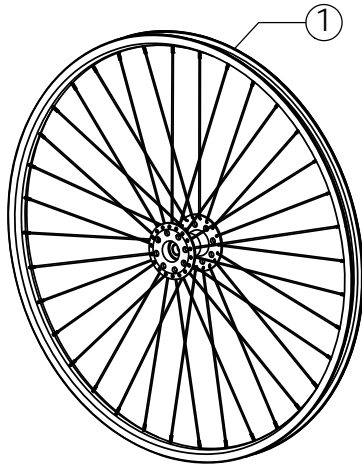
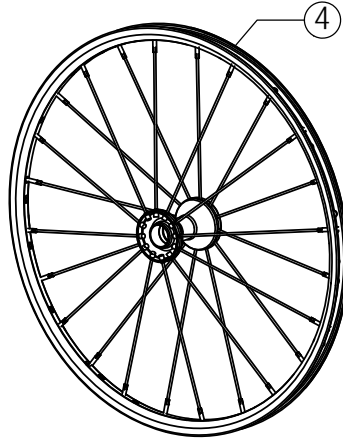
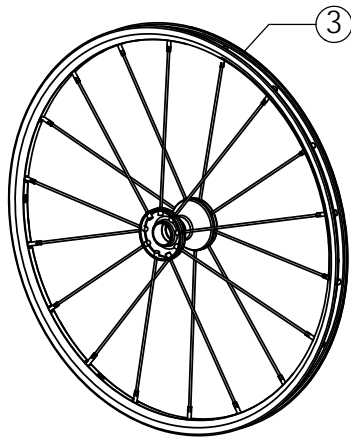


Sports and Recreation Products
 4501 63rd Circle North
 Pinellas Park, FL 33781
 (800) 532-8677 (727) 522-8677
 Fax: (727)522-1007

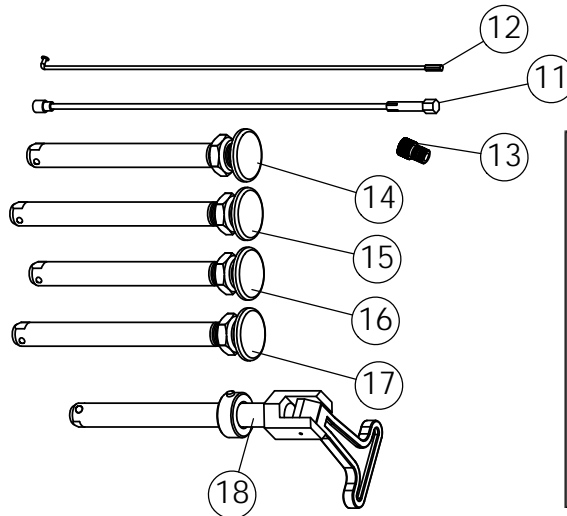
Parts Order Diagram

Crossfire

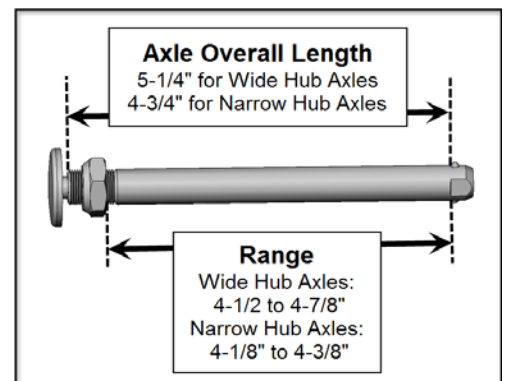
26" Wheels / Accessories



9 8 10



18





Sports and Recreation Products
 4501 63rd Circle North
 Pinellas Park, FL 33781
 (800) 532-8677 (727) 522-8677
 Fax: (727)522-1007

Parts Order Diagram

Crossfire

26" Wheels / Accessories

Date: _____ P.O./Customer#: _____ Ship to Customer Provider Part Tracking#: _____ (TOP END Use Only)

Provider _____	Acct# _____
Address _____	Suite _____
City _____	State _____ Zip _____
Work Phone (_____) _____	Fax _____
Cell Phone (_____) _____	
E-mail _____	

Customer _____
Address _____ Apt. _____
City _____ State _____ Zip _____
Home Phone (_____) _____
Cell Phone (_____) _____
E-mail _____

	ITEM NO.	PART NUMBER	PER CHAIR	DESCRIPTION			ORDER QTY		
WHEELS	1	1054056	2	26" (590) Performance Rear Wheel: Radial				EA	
	2	1060136	2	26" (590) Performance Rear Wheel: Crossed				EA	
	3	1059415	2	26" (590) Spinergy Narrow Hub <input type="checkbox"/> Yellow <input type="checkbox"/> Black <input type="checkbox"/> White <input type="checkbox"/> Red <input type="checkbox"/> Blue				EA	
	4	1059424	2	26" (590) Spinergy Sport Wide Hub <input type="checkbox"/> Yellow <input type="checkbox"/> Black <input type="checkbox"/> White <input type="checkbox"/> Red <input type="checkbox"/> Blue				EA	
HANDRIMS	5	1054087	2	26" Anodized Handrim				EA	
	6	1054088	2	26" Vinyl Coated Handrim - Black				EA	
	7	1060875	2	26" Titanium Handrim				EA	
		1139816	2	26" Natural Fit Standard Grip Handrim				EA	
		1139817	2	26" Natural Fit Super Grip Handrim				EA	
	1145898	2	Handrim Hardware Kit (6) 10-32 x 1/2" Screws, (6) 10-32 Locknuts				EA		
TIRES / TUBES	8	1054066	2	26" (590) Primo V Track High Pressure Clincher Tire				EA	
	9	1127917	2	26" (590) Kenda Sport Tire, Clincher, Red				EA	
		1127920	2	26" (590) Kenda Sport Tire, Clincher, Yellow				EA	
		1139815	2	26" (590), Schwalbe high pressure clincher				EA	
		1054074	2	26" (590) Tube (Presta Valve)				EA	
	10	1054061	2	26" (590) Grey Treaded Clincher Tire (24" x 1-3/8)				EA	
		1026140	2	26" (590) Tube (24" x 1-3/8)				EA	
ACCESSORIES	11	1060803	na	Spinergy Spox Spoke (3mm)	Wheel Size: <input type="checkbox"/> 22" <input type="checkbox"/> 24" <input type="checkbox"/> 25" <input type="checkbox"/> 26"	<input type="checkbox"/> Yellow <input type="checkbox"/> Black <input type="checkbox"/> White <input type="checkbox"/> Red <input type="checkbox"/> Blue	<input type="checkbox"/> Wide Hub <input type="checkbox"/> Narrow Hub		EA
		1156712	na	Spinergy LX/SLX Spoke (4mm)	Wheel Size: <input type="checkbox"/> 22" <input type="checkbox"/> 24" <input type="checkbox"/> 25" <input type="checkbox"/> 26"	<input type="checkbox"/> Yellow <input type="checkbox"/> Black <input type="checkbox"/> White <input type="checkbox"/> Red <input type="checkbox"/> Blue	<input type="checkbox"/> Wide Hub <input type="checkbox"/> Narrow Hub		EA
	12	1059514	na	Metal Spoke w/ nipple	Wheel Size: <input type="checkbox"/> 22" <input type="checkbox"/> 24" <input type="checkbox"/> 25" <input type="checkbox"/> 26"	<input type="checkbox"/> Crossed <input type="checkbox"/> Radial			EA
	13	1061215	na	Presta Valve Adapter				EA	
	14	1065303	2	Axle, Quick Release, Standard for Narrow Hub, length and range see pg.10				EA	
	15	1060140	2	Axle, Quick Release, Standard for Wide Hub, length and range see pg.10				EA	
	16	1060842	2	Axle, Quick Release, Titanium for Narrow Hub, length and range see pg.10				EA	
	17	1060843	2	Axle, Quick Release, Titanium for Wide Hub, length and range see pg.10				EA	
	18	1043487	2	Axle, Quad Release, Standard				EA	
	19	1109717	na	Alignment Gauge				EA	
		1061213	2	Rim Strip, <input type="checkbox"/> 22" <input type="checkbox"/> 24" <input type="checkbox"/> 25" <input type="checkbox"/> 26" <input type="checkbox"/> 700c				EA	
		1060137	2	25-520 Rim				EA	
		1059421	2	25-540 Rim				EA	
		1059423	2	25-559 Rim				EA	
		1059422	2	25-590 Rim				EA	
	1060856	2	Hub, Low Flange - Threaded 1/2", 36 hole				EA		
	1060708	2	Quick Release Hub - 36 hole high flange				EA		
	1054030	4	Bearing, 1/2" [1-1/8"x1/2"x5/16"]				EA		



Sports and Recreation Products
 4501 63rd Circle North
 Pinellas Park, FL 33781
 (800) 532-8677 (727) 522-8677
 Fax: (727)522-1007

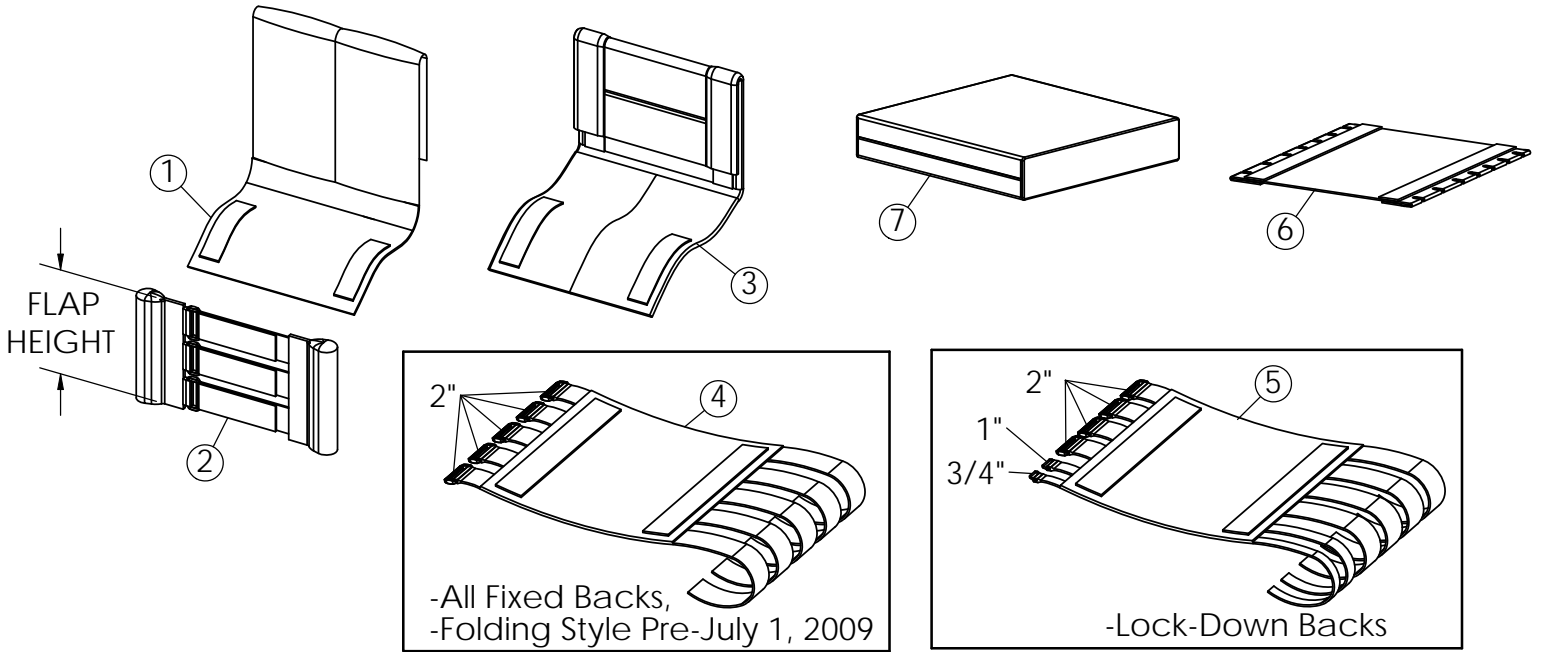
Parts Order Diagram

Crossfire Upholstery

Date: _____ P.O./Customer#: _____ Ship to Customer Provider Part Tracking#: _____
(TOP END Use Only)

Provider _____ **Acct#** _____
 Address _____ Suite _____
 City _____ State _____ Zip _____
 Work Phone (_____) _____ Fax _____
 Cell Phone (_____) _____
 E-mail _____

Customer _____
 Address _____ Apt. _____
 City _____ State _____ Zip _____
 Home Phone (_____) _____
 Cell Phone (_____) _____
 E-mail _____



ITEM NO.	PART NUMBER	PER CHAIR	DESCRIPTION	SEAT WIDTH	BACK HEIGHT	FLAP HEIGHT	ORDER QTY
1	1127960	1	Std. Back Center	SW: _____	BH: _____	FH: _____	EA
	1153140	1	Mesh Back Center	SW: _____	BH: _____	FH: _____	EA
	1153141	1	Camo Back Center	SW: _____	BH: _____	FH: _____	EA
2	1153132	1	Std. Back, Anchor & Adjuster Asm <input type="checkbox"/> Yes <input type="checkbox"/> No	SW: _____	BH: _____	FH: _____	EA
	1153138	1	Mesh Back, Anchor & Adjuster Asm <input type="checkbox"/> Yes <input type="checkbox"/> No	SW: _____	BH: _____	FH: _____	EA
	1153139	1	Camo Back, Anchor & Adjuster Asm <input type="checkbox"/> Yes <input type="checkbox"/> No	SW: _____	BH: _____	FH: _____	EA
3	1065286	1	Fold Over Back Upholstery	SW: _____	BH: _____	XXXXXXX	EA

ITEM NO.	PART NUMBER	PER CHAIR	DESCRIPTION	SEAT WIDTH	BACK HEIGHT	SEAT DEPTH	ORDER QTY
4	1127963	1	Seat Upholstery, Adj. Tension, Use on: All Fixed Backs, Folding Backs Pre- July 2009	SW: _____	XXXXXXX	SD: _____	EA
5	1153134	1	Seat Upholstery, Adj. Tension, Use on: All Lock-Down Backs	SW: _____	XXXXXXX	SD: _____	EA
6	1054280	1	Screw-On Seat	SW: _____	XXXXXXX	SD: _____	EA
7	1054272	1	Soft Cushion <input type="checkbox"/> 2" <input type="checkbox"/> 3" <input type="checkbox"/> 4"	SW: _____	XXXXXXX	SD: _____	EA
	1060130	1	Hard Cushion <input type="checkbox"/> 2" <input type="checkbox"/> 3" <input type="checkbox"/> 4"	SW: _____	XXXXXXX	SD: _____	EA



Sports and Recreation Products
 4501 63rd Circle North
 Pinellas Park, FL 33781
 (800) 532-8677 (727) 522-8677
 Fax: (727)522-1007

Parts Order Diagram

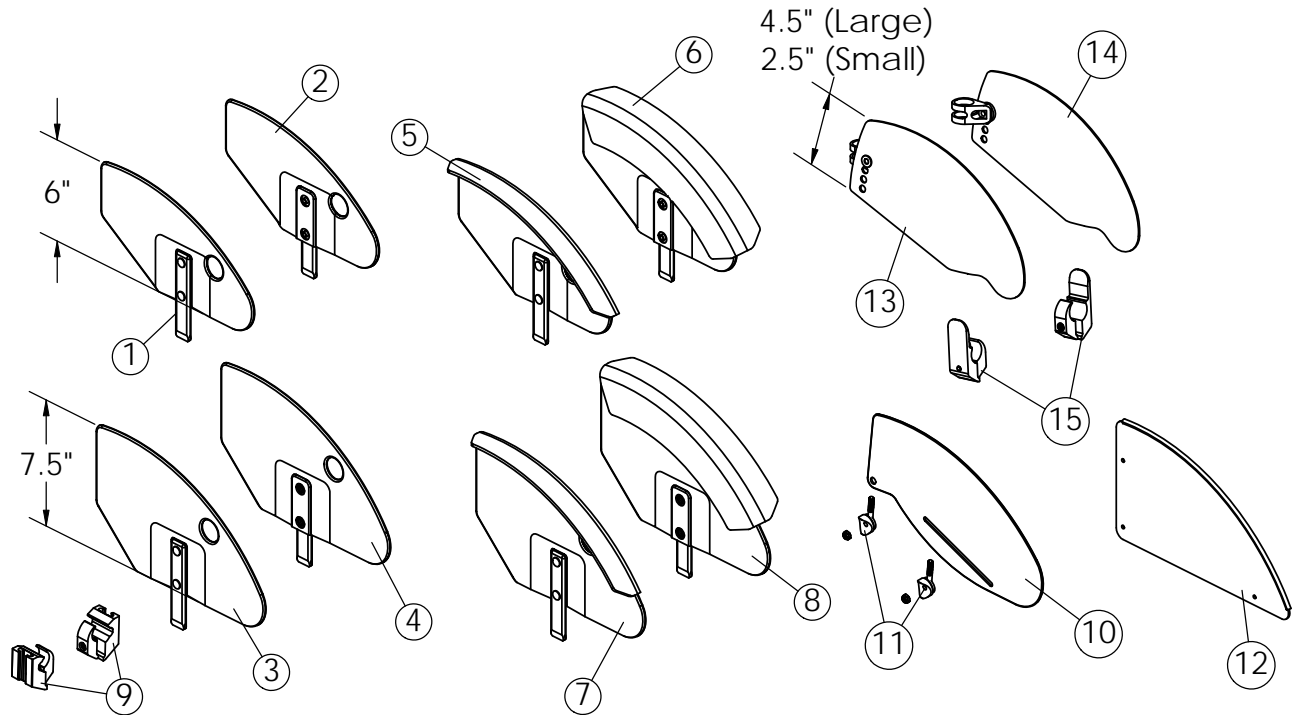
Crossfire

Side Guards

Date: _____ P.O./Customer#: _____ Ship to Customer Provider Part Tracking#: _____
(TOP END Use Only)

Provider _____	Acct# _____
Address _____	Suite _____
City _____	State _____ Zip _____
Work Phone (_____) _____	Fax _____
Cell Phone (_____) _____	
E-mail _____	

Customer _____
Address _____ Apt. _____
City _____ State _____ Zip _____
Home Phone (_____) _____
Cell Phone (_____) _____
E-mail _____



ITEM NO.	PART NUMBER	PER CHAIR	DESCRIPTION	ORDER QTY	
1	1036407	1	Removable Side Guard, Small, Right		EA
2	1036408	1	Removable Side Guard, Small, Left		EA
3	1036405	1	Removable Side Guard, Large, Right		EA
4	1036406	1	Removable Side Guard, Large, Left		EA
5	1145645	1	Removable Side Guard, w/ Fender, Small, Right		EA
6	1145646	1	Removable Side Guard, w/ Fender, Small, Left		EA
7	1145643	1	Removable Side Guard, w/ Fender, Large, Right		EA
8	1145644	1	Removable Side Guard, w/ Fender, Large, Left		EA
9	1036342	1	Mounting Hardware Kit for Removable Side Guards		PR
10	1114087	2	Folding Side Guard w/ Slot (Outline Required)		EA
11	1145892	2	Mounting Hardware for Folding Side Guard w/ Slot (one side only)		EA
12	1059414	1	Fixed Side Guard, (RH & LH, Outline Required)		PR
13	1153016	1	Fold-In Side Guard Panel w/ Pivot Bracket, Right <input type="checkbox"/> Large <input type="checkbox"/> Small		EA
14	1153017	1	Fold-In Side Guard Panel w/ Pivot Bracket, Left <input type="checkbox"/> Large <input type="checkbox"/> Small		EA
15	1156698	1	Seat Clamps for Fold-In Side Guards (1 1/8" Frame Tubing)		PR



Sports and Recreation Products
 4501 63rd Circle North
 Pinellas Park, FL 33781
 (800) 532-8677 (727) 522-8677
 Fax: (727)522-1007

Parts Order Diagram

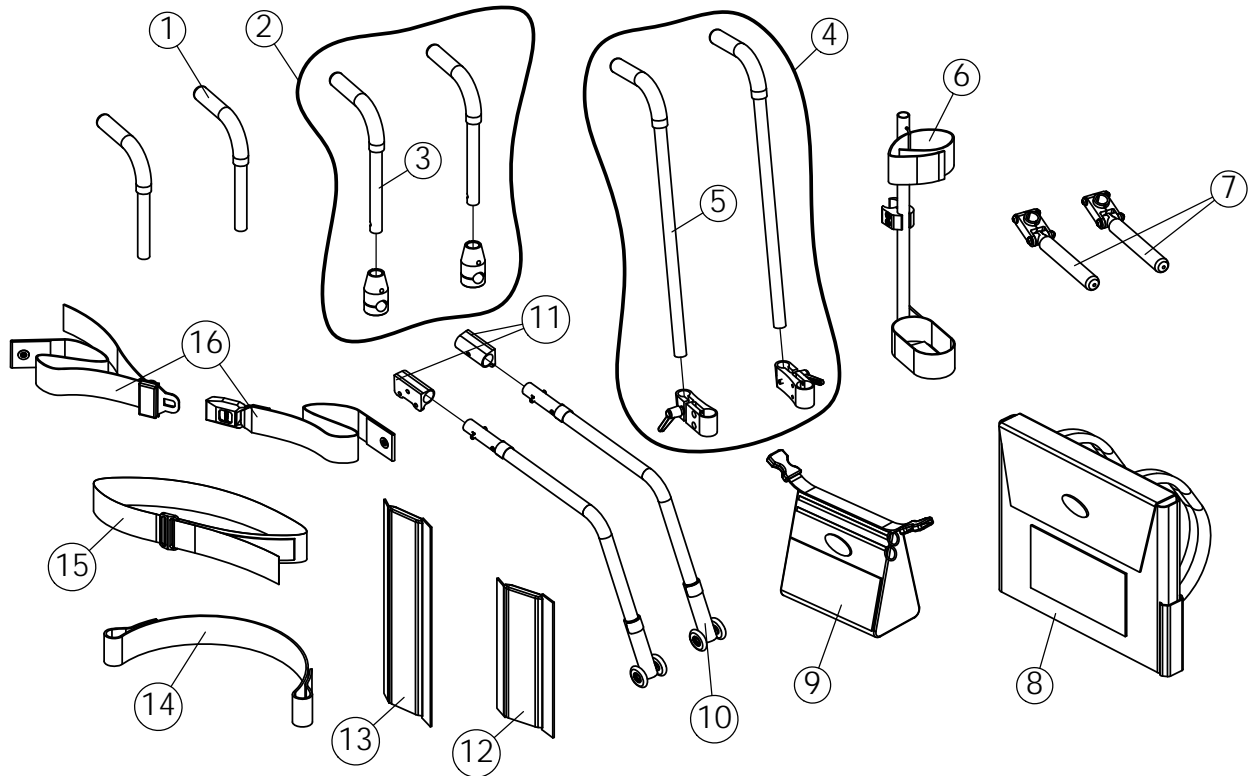
Crossfire

Accessories

Date: _____ P.O./Customer#: _____ Ship to Customer Provider Part Tracking#: _____ (TOP END Use Only)

Provider _____	Acct# _____
Address _____	Suite _____
City _____	State _____ Zip _____
Work Phone (_____) _____	Fax _____
Cell Phone (_____) _____	
E-mail _____	

Customer _____
Address _____ Apt. _____
City _____ State _____ Zip _____
Home Phone (_____) _____
Cell Phone (_____) _____
E-mail _____



ITEM NO.	PART NUMBER	PER CHAIR	DESCRIPTION	ORDER QTY	
1	1054163	2	Bolt-Thru Integral Push Handle w/ Mtg. Hdw (each) <input type="checkbox"/> fixed back <input type="checkbox"/> folding back		EA
2	1063538	1	Non-Adjustable Bolt-On Push Handles w/ Mtg Hardware (pair)		PR
3	1063529	2	Non-Adjustable Bolt-On Push Handle Cane (each)		EA
4	1116587	1	Push Handles Adjustable Height Assy w/ Mtg Hardware <input type="checkbox"/> Fixed Back <input type="checkbox"/> Fold Back		PR
5	1127870	2	Adjustable height push handle cane (each)		EA
6	1068723	1	Crutch Holder, Strap and Mtg Hardware		EA
7	1145899	1	Luggage Carriers w/ 1" to 3/4" Inserts		PR
8	1109322	1	Back Pack, Small (14" wide)		EA
	1109323	1	Back Pack, Large (16-20" wide)		EA
9	1109324	1	Seat Pouch		EA
10	1112178	2	Rear Anti-tip (each)		EA
11	1114101	1	Anti-tip Hardware Kit Everyday. Swing Away arms present: <input type="checkbox"/> Yes <input type="checkbox"/> No		PR
12	1143295	1	Rear Back Bar Frame Protector (each)		EA
13	1145900	1	Front Frame Vertical Protectors (pair)		PR
14	1054268	1	Leg / Calf Strap, for Footrest Widths: <input type="checkbox"/> 8-10" (36") <input type="checkbox"/> 10.5-13" (41") <input type="checkbox"/> 13.5+ (46")		EA
15	1109772	1	Positioning Strap, hook / loop style, Seat Width: <input type="checkbox"/> 12" - 14" <input type="checkbox"/> 15" - 18" <input type="checkbox"/> 19"+		EA
16	1004310	1	Positioning Strap, Auto Style Buckle, Seat Width: <input type="checkbox"/> 12" - 14" <input type="checkbox"/> 15" - 18" <input type="checkbox"/> 19"+		EA